

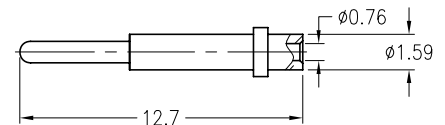
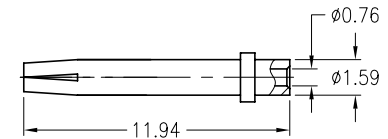
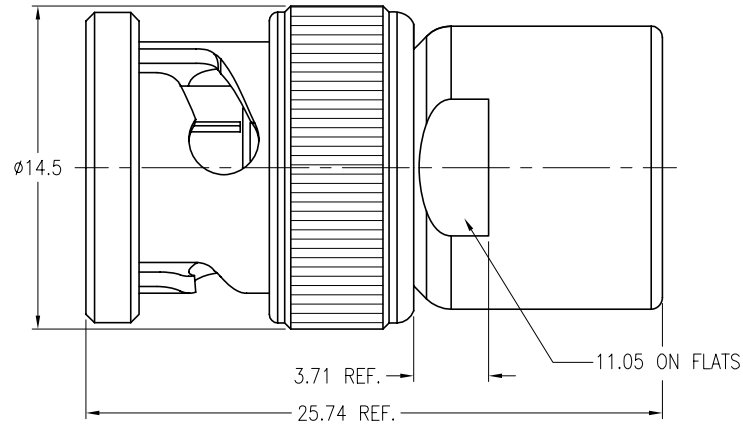
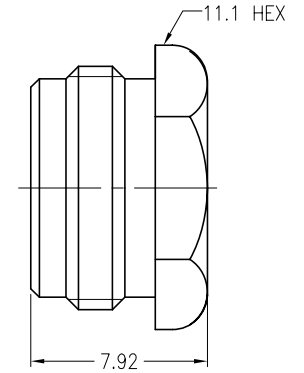
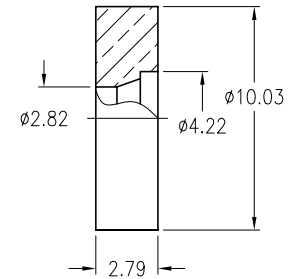
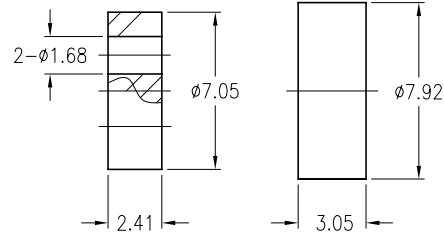
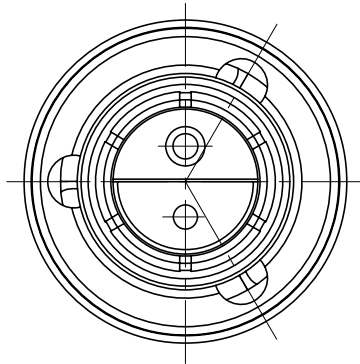
NOTES:

1. MATERIALS AND FINISHES
 BODY - BRASS, NICKEL PLATING
 CONTACT - BRASS&BERYLLIUM COPPER, GOLD PLATING
 INSULATOR - PTFE, NATURAL
2. ELECTRICAL:
 A. DIELECTRIC WITHSTANDING VOLTAGE: 1500 VRMS, MIN.
3. MECHANICAL:
 A. DURABILITY: 500 CYCLES MIN.
 B. TEMPERATURE RANGE: - 65°C to +165°C
4. FOR CABLE ASSEMBLY AND STRIPPING INSTRUCTIONS SEE AMPHENOL SPEC. 349-50392
5. FOR USE WITH 78 OHM TWINAX CABLE WITH PVC JACKET, XEROX PART NO. 117E04970.
 APPROVED VENDOR & PART NO.
 MONTROSE WIRE & CABLE
 AUBURN, MA
 PART NO. CBL 6771
 OR ENGINEERING APPROVED EQUIVALENT.

THIRD ANGLE PROJ.

REVISIONS

REV	DESCRIPTION	DATE	ECO	APPR
A2	SEE SHEET 1	26-Jun-03	--	--
A3	SEE SHEET 1	23-Aug-05	--	AW
F	REDRAWN TO UPDATE FORMAT	08-Nov-05	47242	SH
G	SEE SHEET 1	14-Jan-10	47921	SH



CUSTOMER OUTLINE DRAWING

ALL OTHER SHEETS ARE FOR INTERNAL USE ONLY

UNLESS OTHERWISE SPECIFIED, DIMENSIONS ARE IN METRIC AND TOLERANCES ARE:
 <0.5mm ±0.05mm 0.5 - 6mm ±0.1mm 6 - 30mm ±0.2mm 30 - 120mm ±0.3mm ANGLES ±1°

NOTICE - These drawings, specifications, or other data (1) are, and remain the property of Amphenol Corp. (2) must be returned upon request; and (3) are confidential and not to be disclosed to any person other than those to whom they are given by Amphenol Corp. The furnishing of these drawings, specifications, or other data by Amphenol Corp., or to any other person to anyone for any purpose is not to be regarded by implication or otherwise in any manner licensing, granting rights or permitting such holder or any other person to manufacture, use or sell any product, process or design, patented or otherwise, that may in any way be related to or disclosed by said drawings, specifications, or other data.

MATERIAL	DRAWN	T.DENG	DATE	11-Jan-10	TITLE	Amphenol RF		
	ENGINEER	C.WANG	DATE	11-Jan-10		Danbury CT USA, Tainan Taiwan, Shenzhen China www.amphenolrf.com		
	APPROVED	S.HSIEH	DATE	14-Jan-10		DRAWING NO. 31-5375		
	CAD FILE	F:\DWG\CNPD\31\5375-GSZ		SCALE: 3/1		SHEET	2 OF 2	ITEM NO. 31-5375
REFERENCE	FINISH				DWG SIZE	CODE ID	REV	PART NO. 31-5375
			B			74868	G	