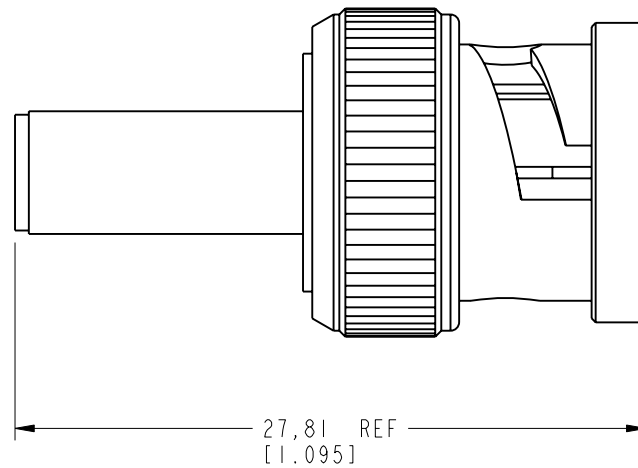


NOTES:

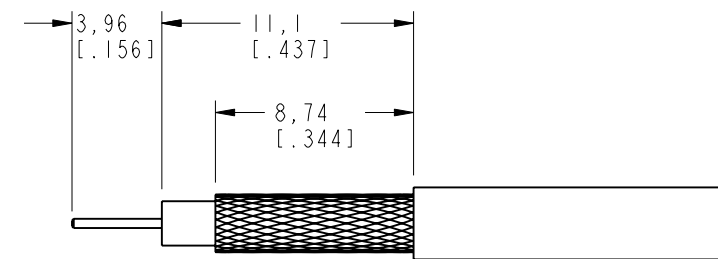
1. MATERIALS AND FINISHES:
 BODY - PHOSPHOR BRONZE, NICKEL PLATING
 CONTACT - BeCu, GOLD PLATING
 FERRULE & SHELL - BRASS, NICKEL PLATING
 INSULATOR - PTFE
2. ELECTRICAL:
 A. IMPEDANCE: 75 OHM
 B. FREQUENCY RANGE: DC - 4 GHz
 C. VSWR(RETURN LOSS): 1.3 MAX.
 D. DIELECTRIC WITHSTANDING VOLTAGE: 1500 VRMS, MIN.
3. MECHANICAL:
 A. DURABILITY: 500 CYCLES MIN.
 B. TEMPERATURE RANGE: -65° C TO +165° C
4. FERRULE TO BE CRIMPED WITH A .178 HEX DIE.
 A. CONTACT TO BE CRIMPED WITH A .042 SQUARE DIE
 OR A 8 PT CRIMPER AMPHENOL NUMBER 227-T1200
5. SHOWS CABLE ENTRY DIMENSIONS.
6. PACKAGING: BULK PACK PER TABLE.

THIRD ANGLE PROJ.

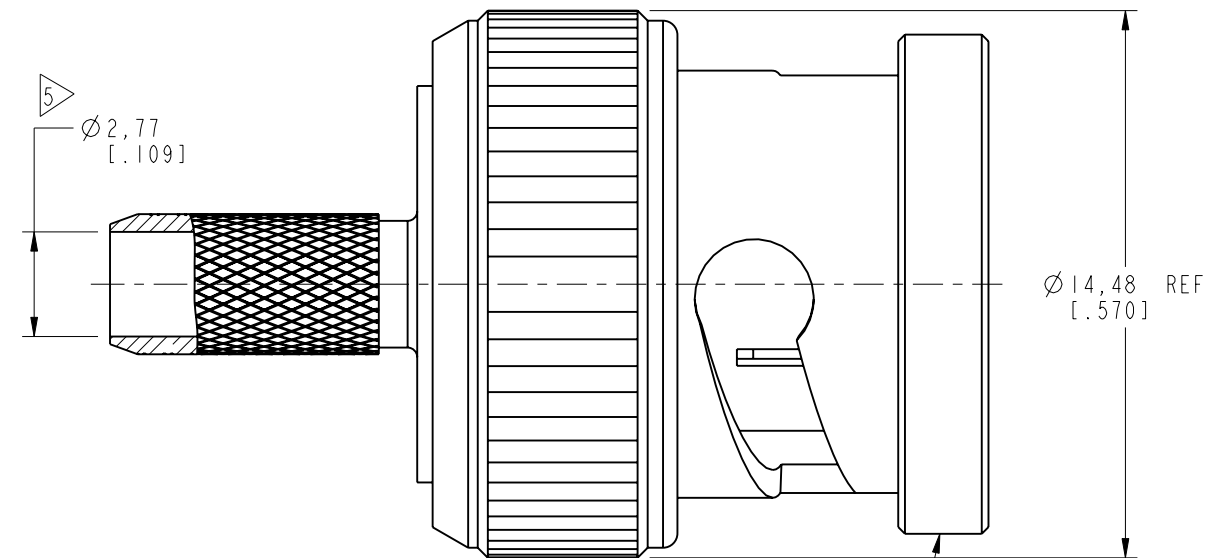
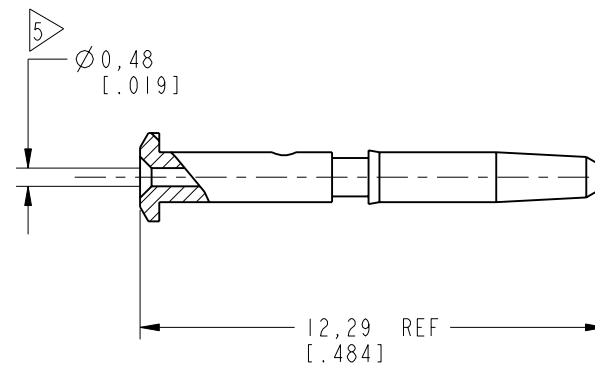
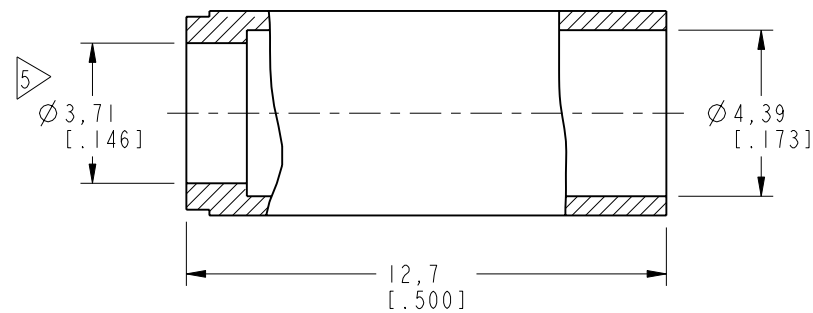
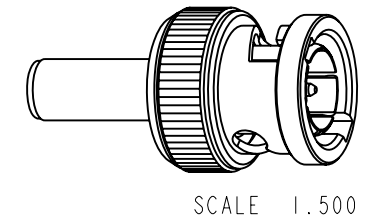
REVISIONS				
REV	DESCRIPTION	DATE	ECO	APPR
A	RELEASE TO MFG.	12-Sep-06	45950	SX
B	SEE SHEET 2	8/6/07	46681	TC
C	INSIDE SPRING WAS CHANGED \RD-DM09090201K NOTE 4: 227-T1200 WAS CTL-T1200 \RD-DM-110704011 STAMP WAS CHANGED \RD-DA110823011 DANBURY: 0.48 WAS 0.53; 2.77 WAS 2.57 UPDATED DRAWING FORMAT	26-Aug-11	48649	SCOTT



AFTER ASSEMBLY DIMENSIONS



RECOMMENDED
CABLE STRIPPING DIMENSIONS



PART NUMBER	QTY
31-80101-BIC	100
31-80101-B2C	200
31-80101-B5C	500
31-80101-BIM	1000

CUSTOMER OUTLINE DRAWING
 ALL OTHER SHEETS ARE FOR INTERNAL USE ONLY

UNLESS OTHERWISE SPECIFIED, DIMENSIONS ARE IN METRIC AND TOLERANCES ARE:
 <0.5mm ±0.05mm 0.5 - 6mm ±0.1mm 6 - 30mm ±0.2mm 30 - 120mm ±0.3mm ANGLES ±1°

NOTICE - These drawings, specifications, or other data (1) are, and remain the property of Amphenol corp. (2) must be returned upon request; and (3) are confidential and not to be disclosed to any person other than those to whom they are given by Amphenol Corp. the furnishing of these drawings, specifications, or other data by Amphenol Corp., or to any other person to anyone for any purpose is not to be regarded by implication or otherwise in any manner licensing, granting rights to permitting such holder or any other person to manufacture, use or sell any product, process or design, patented or otherwise, that may in any way be related to or disclosed by said drawings, specifications, or other data.

MATERIAL SEE NOTE	DRAWN I. XU	DATE 11-Aug-11	TITLE 75 OHM BNC PLUG FOR AT&T 734A CABLE BULK PACK		Amphenol RF Danbury CT USA, Tainan, Taiwan, Shenzhen, China www.amphenolrf.com	
	ENGINEER G. ANTONINI	DATE 03-Mar-05				
	REFERENCE EAR # 1674 GEN # 611X-4252	APPROVED S. HSIEH	DATE 11-Aug-11	SCALE: 5.0:1.0	SHEET 2 OF 2	DRAWING NO. 31-80101-XXX
	FINISH	I:\BNC\31-80101-XXX	DWG SIZE B	REV C	ITEM NO. 31-80101-XXX	PART NO. 31-80101-XXX