

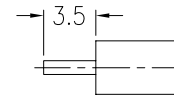
NOTES:

1. MATERIALS AND FINISHES:
 BODY - BRASS, ALBALOY PLATING
 CONTACT - PHOSPHOR BRONZE, GOLD PLATING
 INSULATOR - PTFE, NATURAL
2. ELECTRICAL:
 A. IMPEDANCE: 50 OHM
 B. FREQUENCY RANGE: DC 0-11 GHz
 C. DIELECTRIC WITHSTANDING VOLTAGE: 2500 VRMS, MIN.
3. MECHANICAL:
 A. DURABILITY: 500 CYCLES MIN.
 B. TEMPERATURE RANGE: - 65°C to +165°C
4. CRIMPED CONTACT PIN
 HEX CRIMP SIZE .100"
5. MAX. PANEL THICKNESS=6.5mm
6. PACKAGING:
 A. QUANTITY: SINGLE PACK
 B. MARKING: BAG TO BE MARKED
 "AMPHENOL, 82-6337, AND DATE CODE"

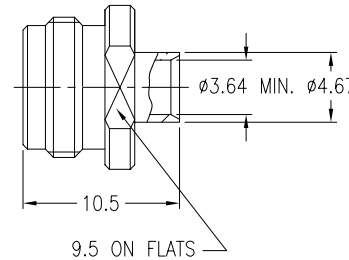
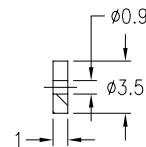
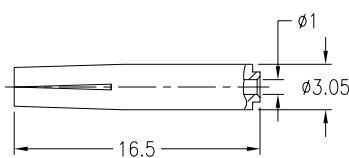
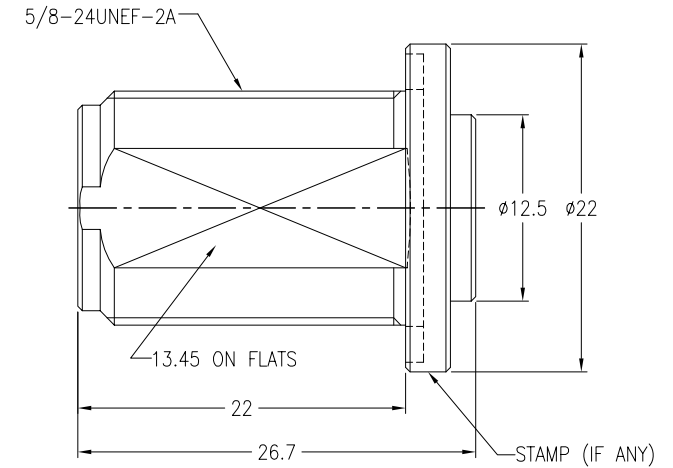
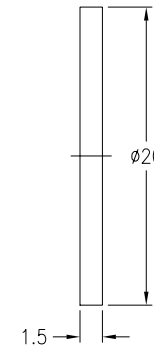
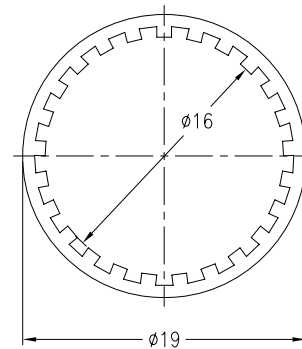
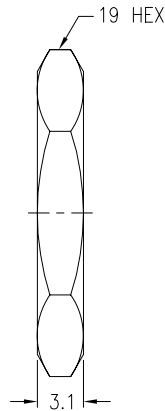
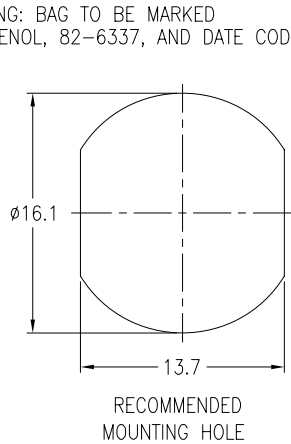
THIRD ANGLE PROJ.

REVISIONS

REV	DESCRIPTION	DATE	ECO	APPR
C	SEE SHEET 1	29-Jul-09	47727	SH



RECOMMENDED MOUNTING HOLE



CUSTOMER OUTLINE DRAWING

ALL OTHER SHEETS ARE FOR INTERNAL USE ONLY

UNLESS OTHERWISE SPECIFIED, DIMENSIONS ARE IN METRIC AND TOLERANCES ARE:
 <0.5 mm ±0.05mm 0.5 - 6mm ±0.1mm 6 - 30mm ±0.2mm 30 - 120mm ±0.3mm ANGLES ±1°

NOTICE - These drawings, specifications, or other data (1) are, and remain the property of Amphenol Corp. (2) must be returned upon request; and (3) are confidential and not to be disclosed to any person other than those to whom they are given by Amphenol Corp. The furnishing of these drawings, specifications, or other data by Amphenol Corp., or to any other person to anyone for any purpose is not to be regarded by implication or otherwise in any manner licensing, granting rights or permitting such holder or any other person to manufacture, use or sell any product, process or design, patented or otherwise, that may in any way be related to or disclosed by said drawings, specifications, or other data.

MATERIAL	DRAWN	M.ZHANG	DATE	27-Jul-09	TITLE	N BULKHEAD DIRECT SOLDER JACK (FOR .141 S/R CABLE)		Amphenol RF Danbury CT USA, Tainan Taiwan, Shenzhen China www.amphenolrf.com
	ENGINEER	NANCY	DATE	27-Aug-03				
	REFERENCE	APPROVED	S.HSIEH	DATE	27-Jul-09	SCALE: 2/1	SHEET 2 OF 2	DRAWING NO. N6481A2-001-A/GT30GA-.141-50
		CAD FILE	F:\DWG\N\6481A2\141-50\001\ACT30GA-CSZ		DWG SIZE	B	REV	C
FINISH							PART NO. 82-6337	