

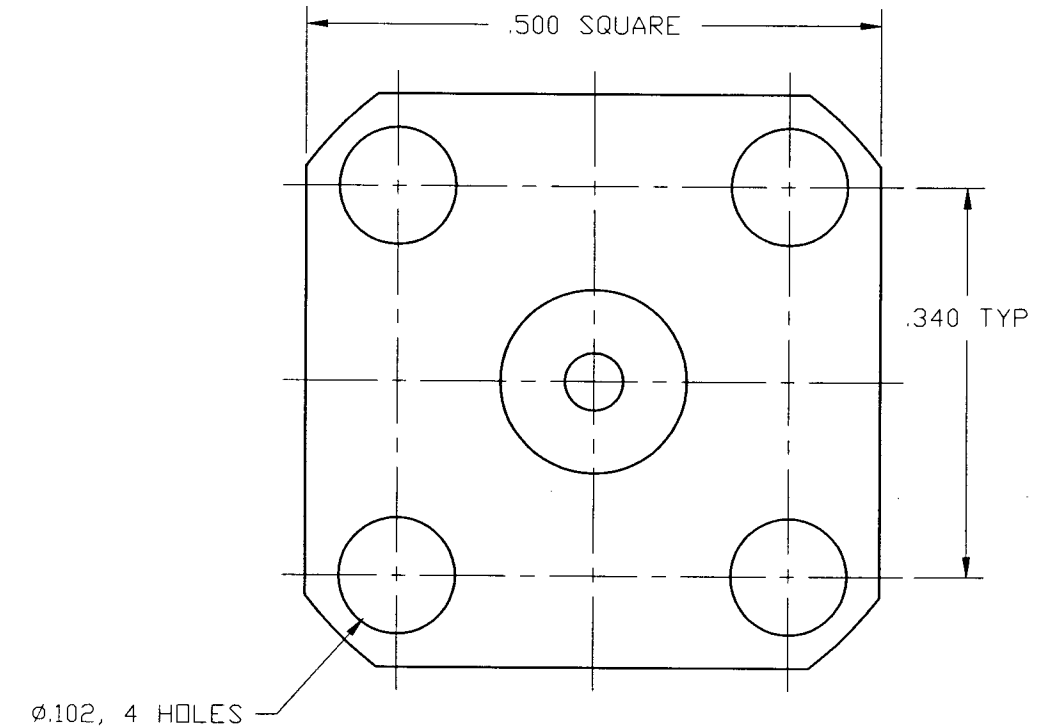
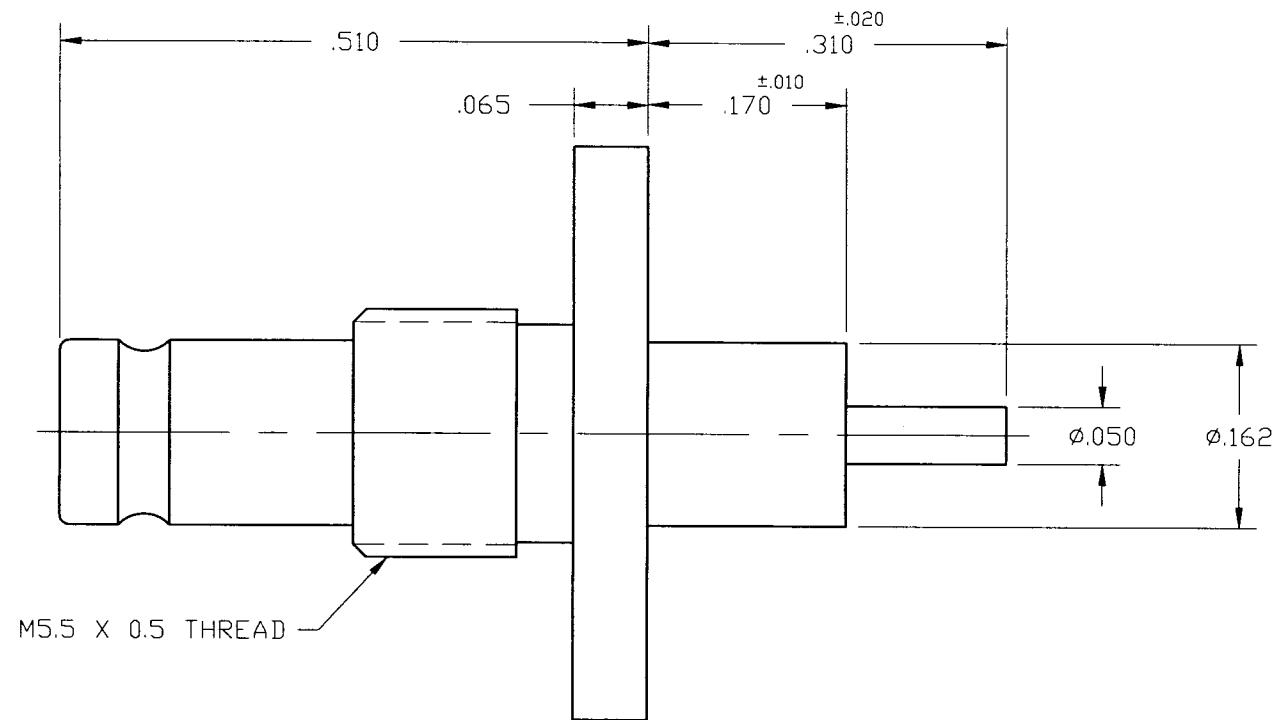
NOTES:

- DO NOT SCALE THIS DRAWING.
- MATERIAL AND FINISH:
 FEMALE CONTACT: BERYLLIUM COPPER, GOLD PLATED
 INSULATOR: TFE FLUOROCARBON
 BODY: BRASS, GOLD PLATED

102-233-30

REVISIONS

DRAWING NO.	REV	DESCRIPTION	DATE	ECO	APPR
THIRD ANGLE PROJ.	A	OFFICIAL ENG. RELEASE TO MFG.	11/11/99	43187	PB/TA
	B	SEE SHEET 1	7/28/00	43456	PB/TA



CUSTOMER DRAWING

UNLESS OTHERWISE SPECIFIED, DIMENSIONS ARE IN INCHES AND TOLERANCES ARE:
 2 PLACE DECIMAL ±.015 (0,381 mm)
 3 PLACE DECIMAL ±.005 (0,127 mm)
 ANGLES ± 1°

NOTICE - These drawings, specifications, or other data (1) are, and remain the property of Amphenol Corp. (2) must be returned upon request; and (3) are confidential and not to be disclosed to any person other than those to whom they are given by Amphenol Corp. The furnishing of these drawings, specifications, or other data by Amphenol Corp., or to any other person to anyone for any purpose is not to be regarded by implication or otherwise in any manner licensing, granting rights or permitting such holder or any other person to manufacture, use or sell any product, process or design, patented or otherwise, that may in any way be related to or disclosed by said drawings, specifications, or other data.

MATERIAL

REFERENCE

EAR 102-967298 0
 FILTRONICS
 179-00238-V3

DRAWN

P. BRENZEL

ENGINEER

P. BRENZEL

APPROVED

T. AUBIN

CAD FILE

H:\PETE\102\1023\ASSY\23330C

DATE

1 JUL 99

DATE

1 JUL 99

DATE

10 NOV 99

TITLE

1.0/2.3 PANEL JACK
 RECEPTACLE

Amphenol

Amphenol Corporation
 RF/Microwave Operations
 Danbury, Conn. U.S.A. 06810

SCALE: 6:1 SHEET 2 OF 2

CODE ID
 74868

DWG SIZE
 B

DRAWING NO.
 102-233-30

ISSUE
 B