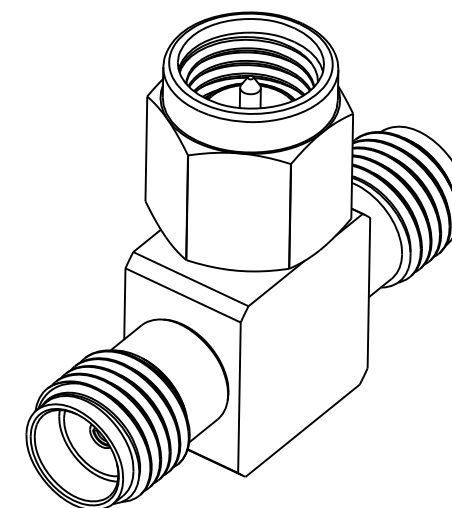
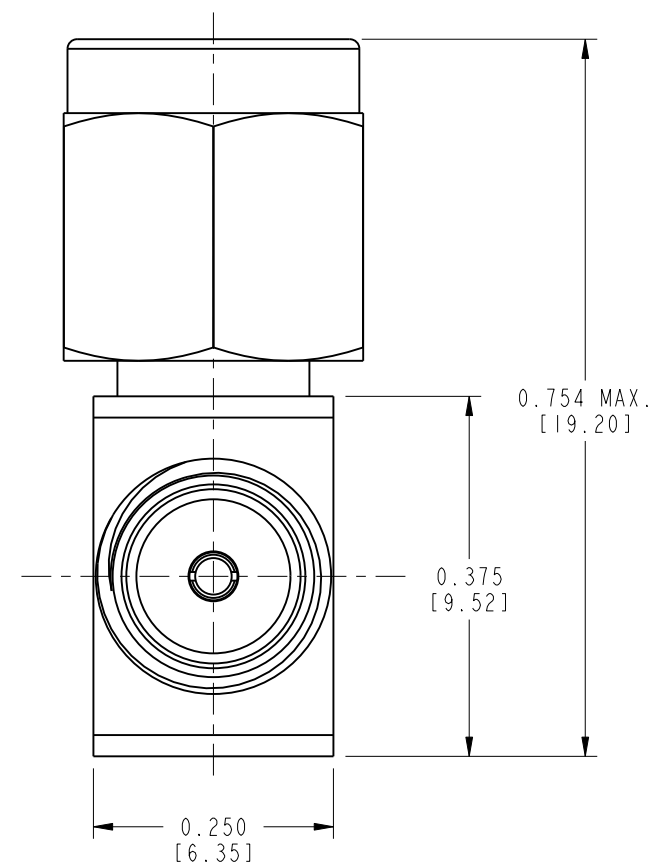
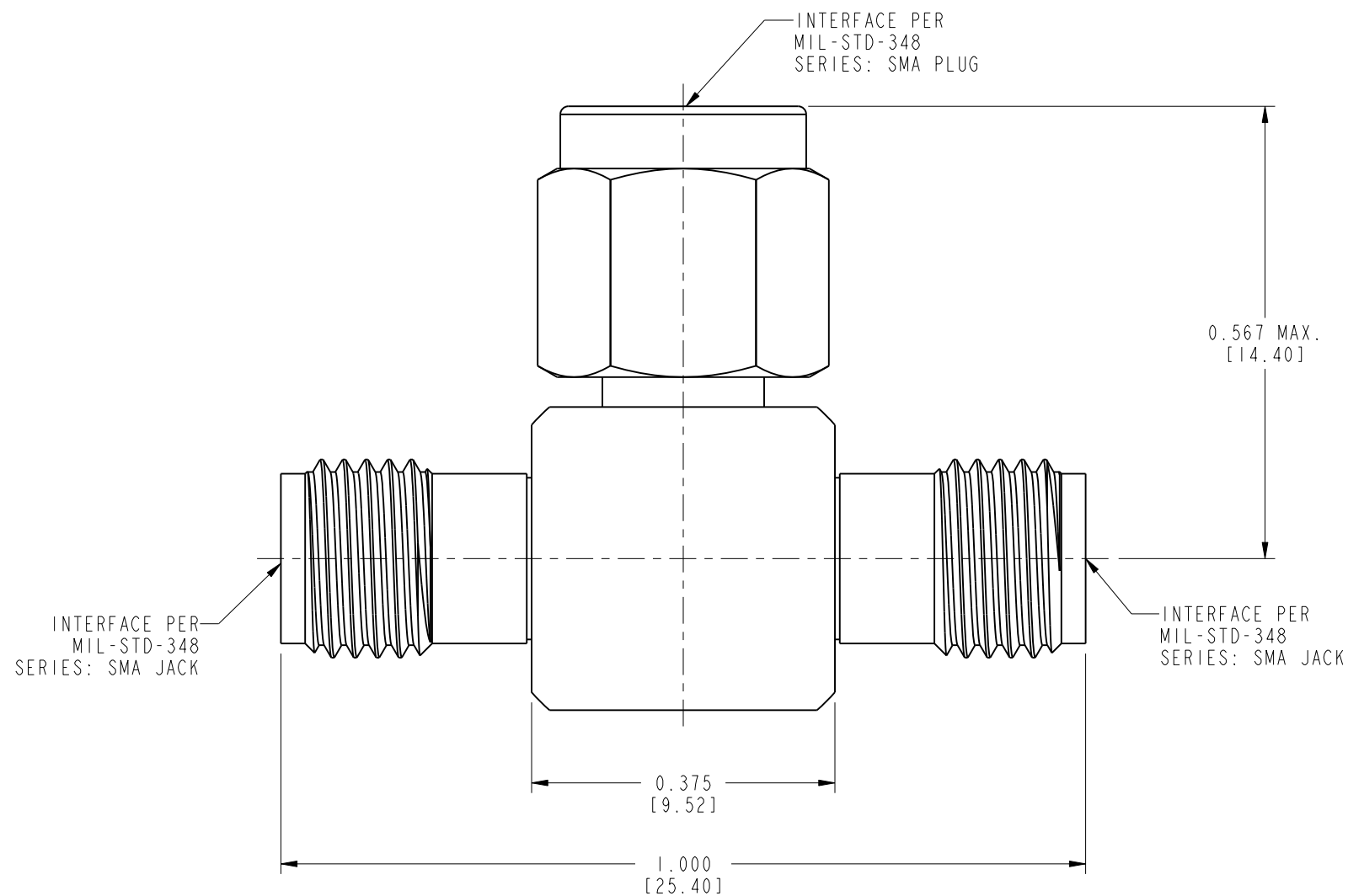


NOTES:

1. MATERIALS AND FINISHES:  
 BODY - BERYLLIUM COPPER, GOLD PLATING  
 CONTACT - BERYLLIUM COPPER, GOLD PLATING  
 INSULATOR - PTFE
2. ELECTRICAL:  
 A. IMPEDANCE: 50 OHM
3. MECHANICAL:  
 A. DURABILITY: 500 CYCLES MIN.  
 B. TEMPERATURE RANGE: -65° C TO +165° C
4. PACKAGING:  
 A. QUANTITY: SINGLE PACK  
 B. MARKING: BAG TO BE MARKED  
 "AMPHENOL RF, 901-305, AND DATE CODE"

901-305		REVISIONS			
DRAWING NO.	REV	DESCRIPTION	DATE	ECO	APPR
THIRD ANGLE PROJ.	A	SEE SHEET I	5/22/72	19254	J.A.H
	B	SEE SHEET I	9/8/80	27548	ABE
	C	SEE SHEET I	6/1/81	27995	J.H/J.D
	D	REDUCED GOLD PLATING THICKNESS	11/7/81	28133	GB
	E	SEE SHEET I	3/1/84	29865	BC/MM
	F	SEE SHEET I		34414	
	G	SEE SHEET I	5/9/83	36378	DR
	H	SEE SHEET I	8/2/10	48204	BM



SCALE 3.000

**CUSTOMER OUTLINE DRAWING**

ALL OTHER SHEETS ARE FOR INTERNAL USE ONLY

UNLESS OTHERWISE SPECIFIED, DIMENSIONS ARE IN INCHES AND TOLERANCES ARE: 2 PLACE DECIMAL ±.015 (0,381 mm) 3 PLACE DECIMAL ±.005 (0,127 mm) ANGLES ± 1°	MATERIAL SEE NOTES	DRAWN BALAJI M	DATE 15-Jul-10	TITLE  ASSEMBLY, SMA TEE JACK, PLUG, JACK	<b>Amphenol RF</b> Danbury, CT, USA Tainan, Taiwan Shenzhen, China <a href="http://www.amphenolrf.com">www.amphenolrf.com</a>		
	NOTICE - These drawings, specifications, or other data (1) are, and remain the property of Amphenol Corp. (2) must be returned upon request; and (3) are confidential and not to be disclosed to any person other than those to whom they are given by Amphenol Corp. The furnishing of these drawings, specifications, or other data by Amphenol Corp., or to any other person to anyone for any purpose is not to be regarded by implication or otherwise in any manner licensing, granting rights or permitting such holder or any other person to manufacture, use or sell any product, process or design, patented or otherwise, that may in any way be related to or disclosed by said drawings, specifications, or other data.	REFERENCE RCA-NOVARD 2901128-7 DOR 309189-58	ENGINEER BALAJI M			DATE 15-Jul-10	SCALE: 5.0:1   SHEET 2 OF 2
		APPROVED K. CAPOZZI	DATE 8/2/10	CODE ID 74868	DWG SIZE B	DRAWING NO. 901-305	REV H
		CAD FILE Root Folder\SMA\901-305					