

NOTES:

1. MATERIAL AND FINISHES:
 COVER - BRASS, GOLD PLATING
 HEX NUT - BRASS, GOLD PLATING
 LOCK WASHER - BRASS, GOLD PLATING
 BODY - BRASS, GOLD PLATING
 CONTACT - BERYLLIUM COPPER, GOLD PLATING
 INSULATOR - PTFE, NATURAL

2. ELECTRICAL:
 A. IMPEDANCE: 50 OHM
 B. FREQUENCY RANGE: 0-6 GHz
 C. VSWR (RETURN LOSS): 1.3 (-17.700 dB) MAX. @ 0-3 GHz
 D. D.W.V: 1000 VRMS. MIN.

3. MECHANICAL:
 A. DURABILITY: 500 CYCLES MIN.
 B. TEMPERATURE RANGE: -65°C TO +165°C

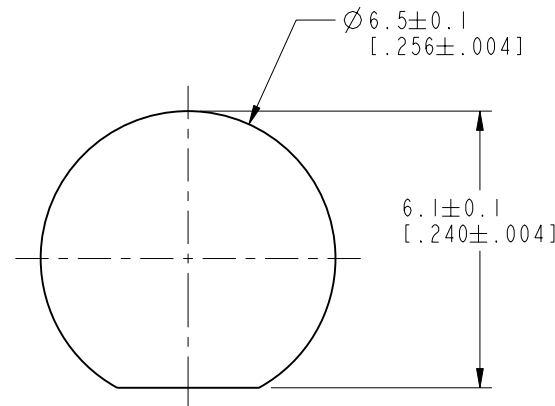
4. CONTACT PIN TO SOLDER

5. MAX. PANEL THICKNESS= 3.2 mm

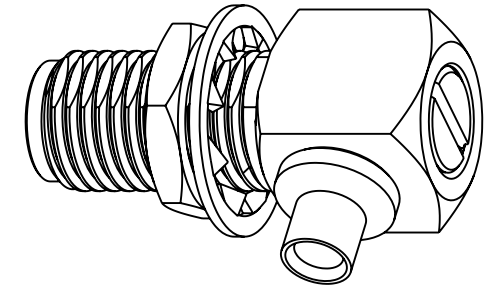
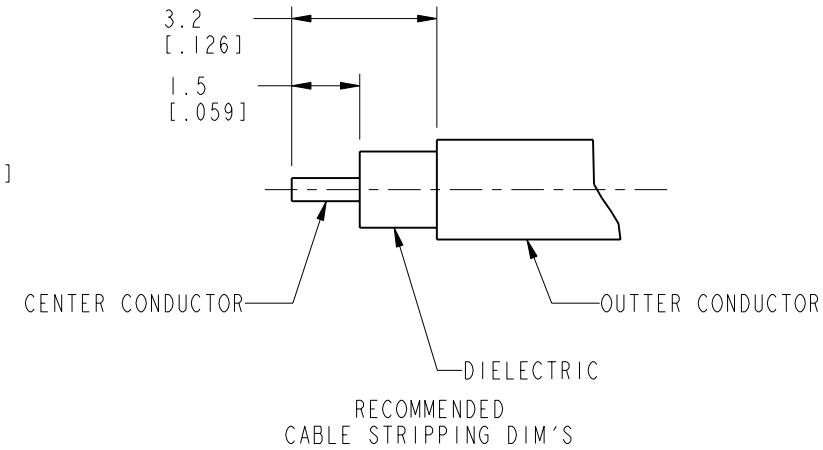
THIRD ANGLE PROJ.

REVISIONS

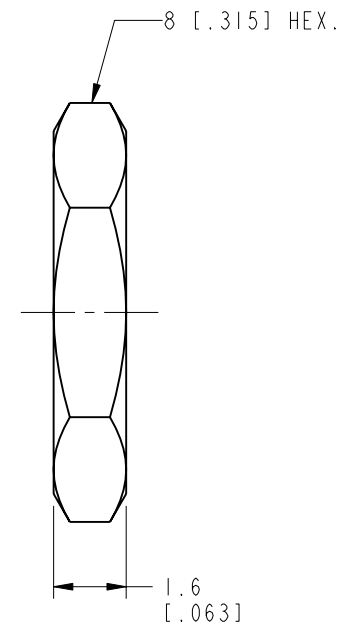
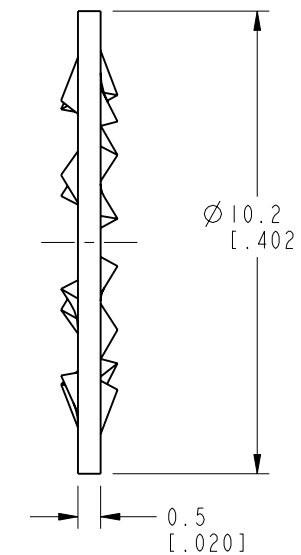
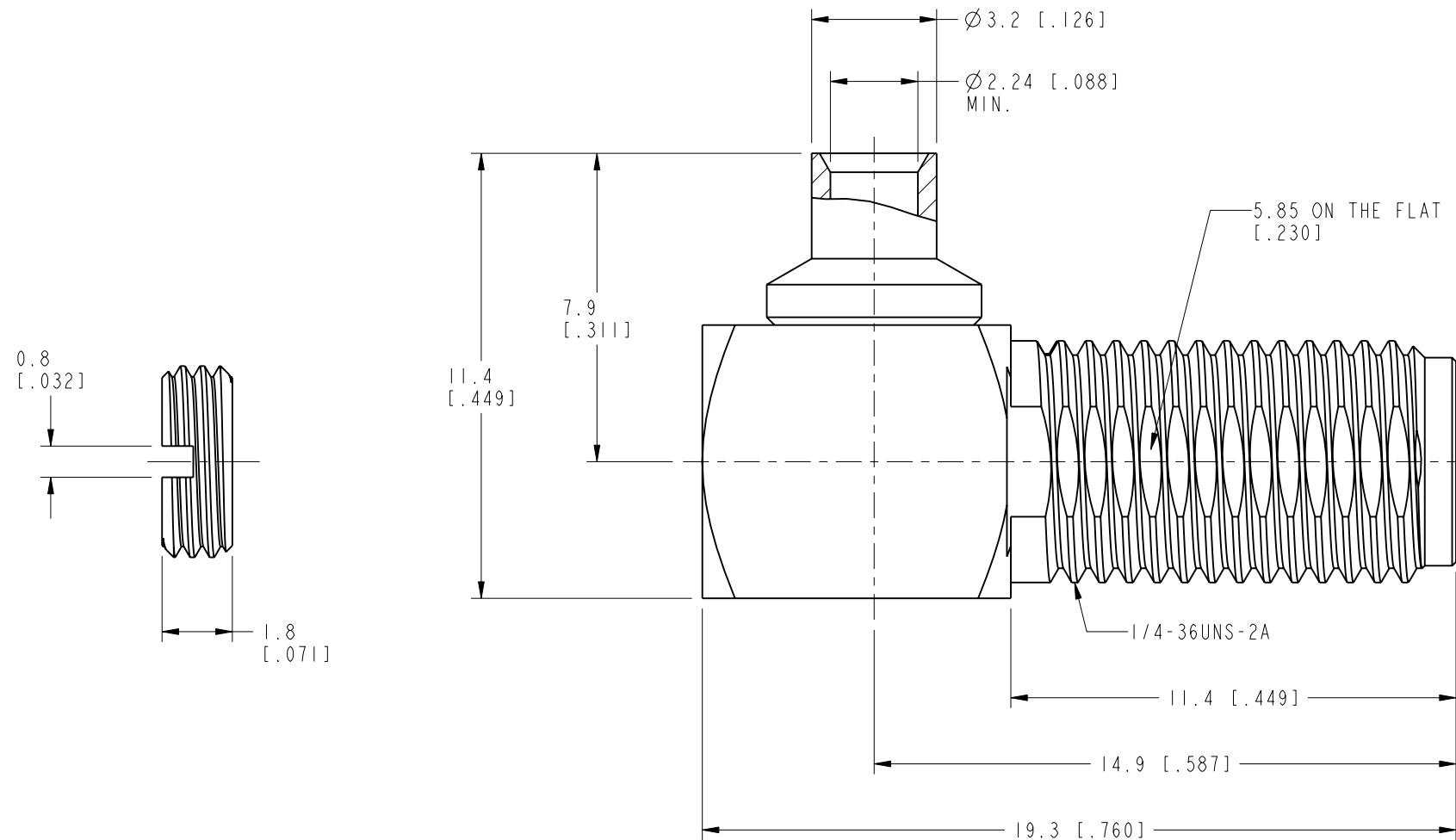
REV	DESCRIPTION	DATE	ECO	APPR
NC	INITIAL RELEASE	23-Nov-10	----	FW
A	SYNC, UPDATE DRAWING FORMAT	13-Mar-15	2884	MZ
B	ADDED A SHOULDER INTO THE BARREL PER CUSTOMER	26-Jan-18	06706	SH



RECOMMENDED MOUNTING HOLE



SCALE 3.000



CUSTOMER OUTLINE DRAWING
 ALL OTHER SHEETS ARE FOR INTERNAL USE ONLY

UNLESS OTHERWISE SPECIFIED, DIMENSIONS ARE IN METRIC AND TOLERANCES ARE:
 < 0.5mm ± 0.05mm 0.5 - 6mm ± 0.1mm 6 - 30mm ± 0.2mm 30 - 120mm ± 0.3mm ANGLES ± 1°

NOTICE - These drawings, specifications, or other data (1) are, and remain the property of Amphenol corp. (2) must be returned upon request; and (3) are confidential and not to be disclosed to any person other than those to whom they are given by Amphenol Corp. the furnishing of these drawings, specifications, or other data by Amphenol Corp., or to any other person to anyone for any purpose is not to be regarded by implication or otherwise in any manner licensing, granting rights to permitting such holder or any other person to manufacture, use or sell any product, process or design, patented or otherwise, that may in any way be related to or disclosed by said drawings, specifications, or other data.

MATERIAL	DRAWN M. ZHANG	DATE 26-Jan-18
REFERENCE AND CONFIGURATION LEVEL: In Work	ENGINEER S. DUAN	DATE 13-Mar-15
FINISH	APPROVED S. HSIEH	DATE 26-Jan-18
	CAD FILE	

TITLE SMA R/A BULKHEAD JACK (FOR .085 SEMI-RIGID CABLE)
SCALE: 6.0:1.0 SHEET 2 OF 2
DWG SIZE B
REV B

Amphenol RF www.amphenolrf.com	
DRAWING NO. SMA6482A1-3GT50G-085-50	
ITEM NO. 116482AAA45GA5F	
PART NO. 132419	