

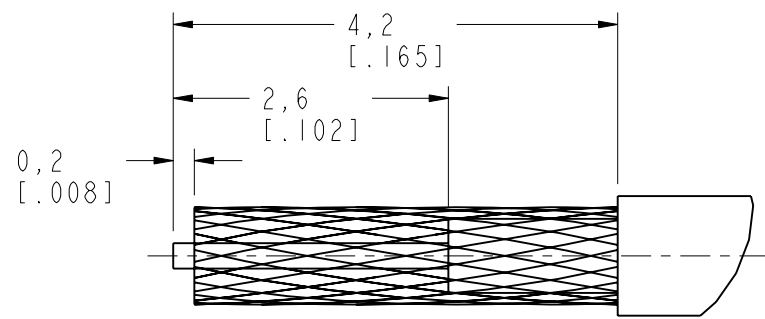
NOTES:

1. MATERIAL AND FINISH (PLATING THICKNESS IN MICRO-INCHES):  
 BODY - BERYLLIUM COPPER, GOLD PLATING  
 HOUSING - BRASS, GOLD PATING  
 CONTACT - BRASS, GOLD PATING  
 INSULATOR - PTFE, NATURAL
2. ELECTRICAL:  
 A. IMPEDANCE: 50 OHM  
 B. DIELECTRIC WITHSTANDING VOLTAGE: 1000 VRMS, MIN.
3. MECHANICAL:  
 A. DURABILITY: 500 CYCLES MIN.  
 B. TEMPERATURE RANG: -65°C TO +165°C
4. CRIMPED FERRULE  
 HEX CRIMP SIZE .105"
5. CONTACT PIN TO SOLDER

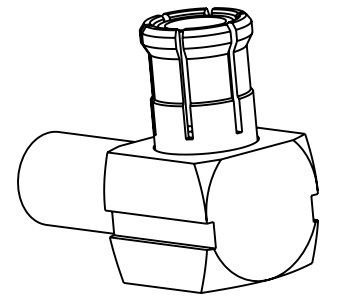
THIRD ANGLE PROJ.

REVISIONS

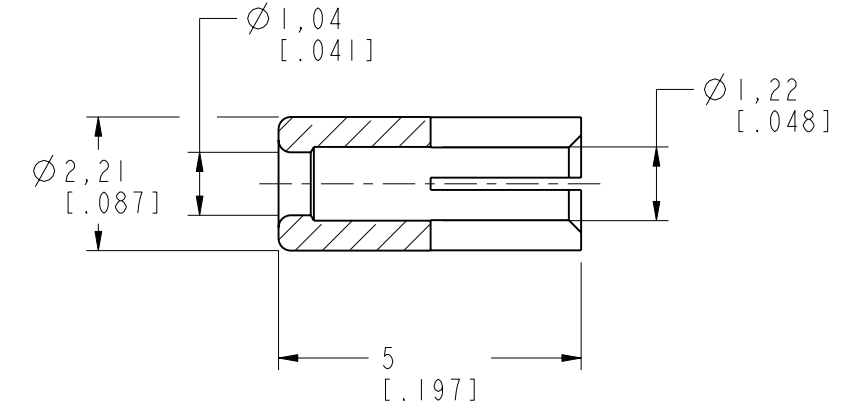
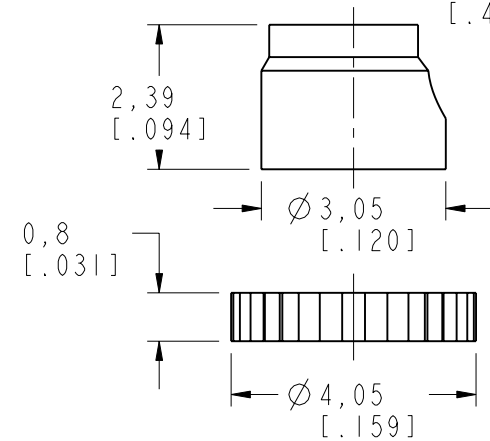
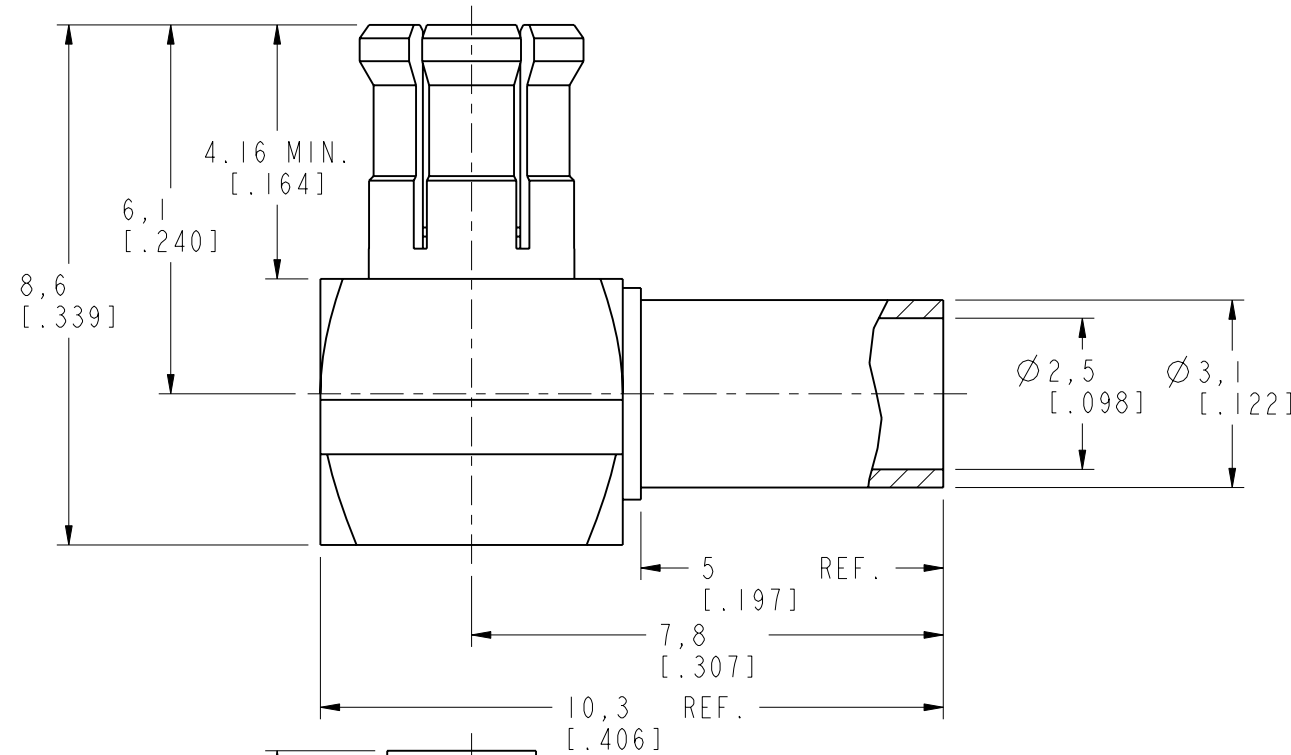
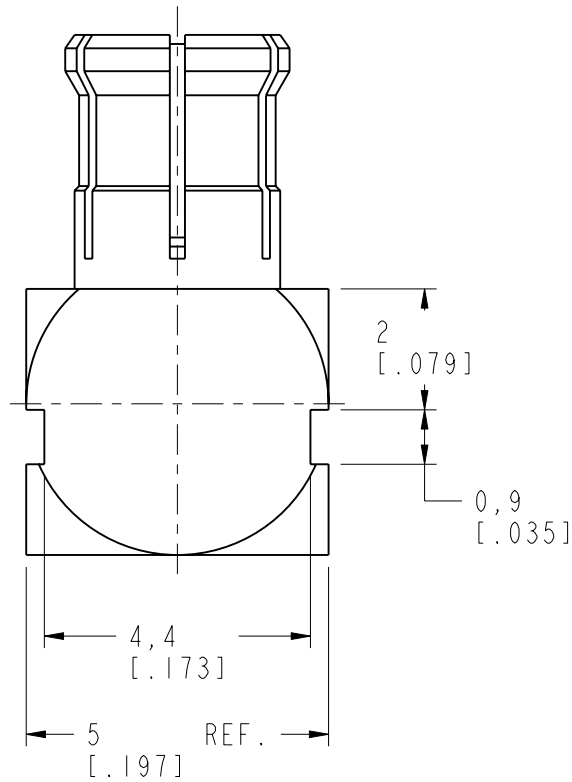
REV	DESCRIPTION	DATE	ECO	APPR
NC	INITIAL RELEASE	01-Jun-09	--	--
A	RELEASE TO MFG.	14-Aug-17	04642	KEN



RECOMMENDED  
CABLE STRIPPING DIMS



SCALE 4.000



**CUSTOMER OUTLINE DRAWING**

ALL OTHER SHEETS ARE FOR INTERNAL USE ONLY

UNLESS OTHERWISE SPECIFIED, DIMENSIONS ARE IN METRIC AND TOLERANCES ARE:  
 <0.5mm ±0.05mm    0.5 - 6mm ±0.1mm    6 - 30mm ±0.2mm    30 - 120mm ±0.3mm    ANGLES ±1°

NOTICE - These drawings, specifications, or other data (1) are, and remain the property of Amphenol corp. (2) must be returned upon request; and (3) are confidential and not to be disclosed to any person other than those to whom they are given by Amphenol Corp. the furnishing of these drawings, specifications, or other data by Amphenol Corp., or to any other person to anyone for any purpose is not to be regarded by implication or otherwise in any manner licensing, granting rights to permitting such holder or any other person to manufacture, use or sell any product, process or design, patented or otherwise, that may in any way be related to or disclosed by said drawings, specifications, or other data.

MATERIAL	
REFERENCE AND CONFIGURATION LEVEL: In Work	
FINISH	

DRAWN STAR	DATE 14-Aug-17
ENGINEER SUNDE	DATE 14-Aug-17
APPROVED HARRY	DATE 14-Aug-17
CAD FILE	

TITLE MCX R/A CRIMP PLUG (FOR 1.13MM CABLE)	
SCALE: 8.0:1.0	SHEET 2 OF 2
DWG SIZE B	REV A

Amphenol RF www.amphenolrf.com	
DRAWING NO. MCX1112A6-3GT30G-C113-50	
ITEM NO. 081112ABL63GE5F	
PART NO. 252196	