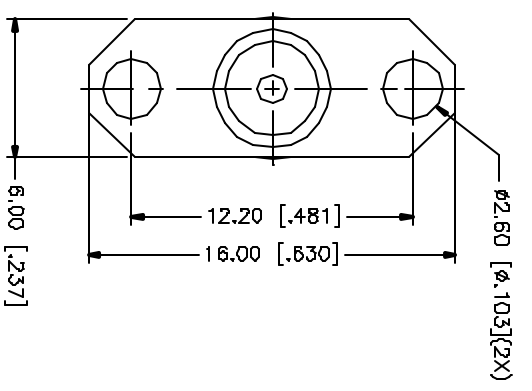
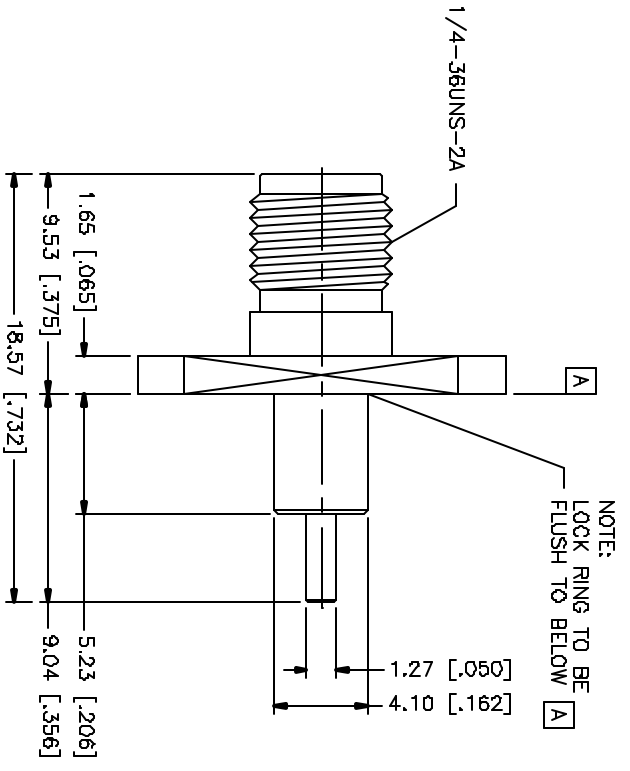


| REV. | DATE | DESCRIPTION |
|------|----------|-----------------|
| NC | 02/20/05 | INITIAL RELEASE |



| NO. | DESCRIPTION | MATERIAL | FINISH | QTY |
|-----|-------------|-------------|---------|-----|
| 8 | | | | |
| 7 | | | | |
| 6 | | | | |
| 5 | | | | |
| 4 | RING | BRASS | GOLD | 1 |
| 3 | CONTACT PIN | BER. COPPER | GOLD | 1 |
| 2 | INSULATOR | TEFLON | NATURAL | 1 |
| 1 | BODY | BRASS | GOLD | 1 |
| | DESCRIPTION | MATERIAL | FINISH | QTY |

| | | |
|--|----------------|----------|
| UNLESS OTHERWISE SPECIFIED DIMENSIONS ARE IN MILLIMETERS DIMENSIONS IN [] ARE IN INCHES AND FOR DECIMAL ROUNDED DOWN. | APPROVALS | DATE |
| UNLESS OTHERWISE SPECIFIED TOLERANCES FOR MILLIMETERS ARE: 0.5 - 30mm ± 0.20mm 30 - 120mm ± 0.40mm UNLESS OTHERWISE SPECIFIED TOLERANCES FOR INCHES ARE: 0.20 - 3.15 = ± 0.007" .315 - 1.180 = ± 0.015" 1.180 - 4.724 = ± 0.020" | DRAWN G. R. S. | 02/20/05 |
| DO NOT SCALE DRAWING | CHECKED | |
| | ISSUED | |
| | SHEET 1 OF 1 | |

| | | | | |
|-------------------------------|------------------------|---------|--------|----------|
| CAD FILE C:/132/132147-33.DWG | DWG. NO. 132147-33.DWG | REV. NC | SIZE A | SCALE NA |
|-------------------------------|------------------------|---------|--------|----------|

| | |
|--|--|
| Amphenol Connex | |
| PART DESCRIPTION SMA PANEL RECEPTACLE - 2 HOLE | |
| EXT. TEFLON .206 [5.23] - .356 [9.04] | |
| PART NO. 132147-33 | |