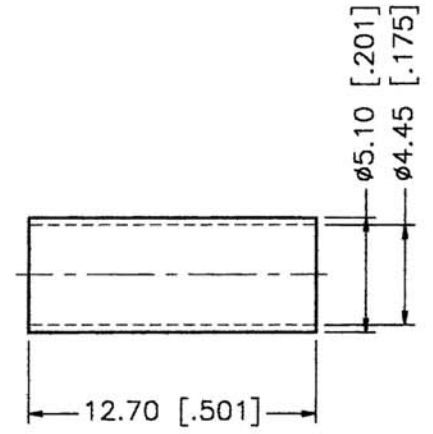
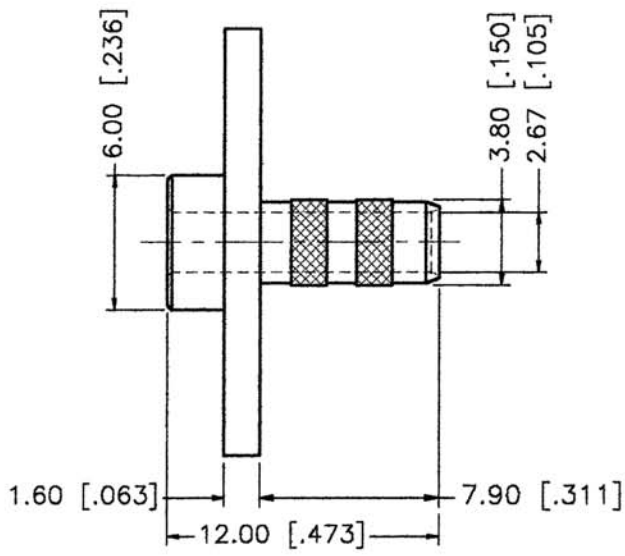
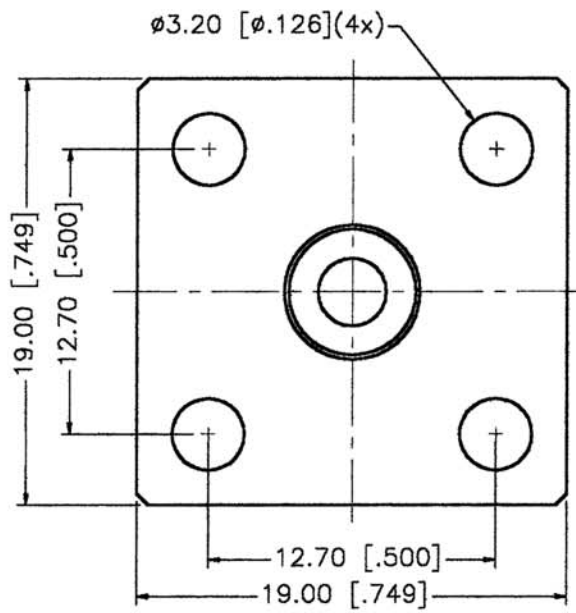
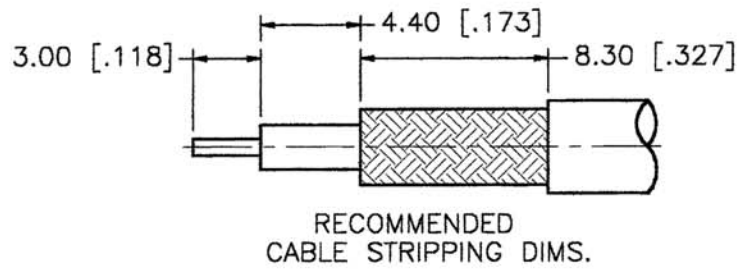


REV.	DATE	DESCRIPTION
NC	03/07/00	INITIAL RELEASE



CRIMP NOTES:  
1. CRIMPED FERRULE  
HEXCRIMP SIZE .178"

8			
7			
6			
5			
4			
3	FERRULE	BRASS	NICKEL
2	FLANGE	BRASS	NICKEL
1	BODY	BRASS	NICKEL
	DESCRIPTION	MATERIAL	FINISH

UNLESS OTHERWISE SPECIFIED  
DIMENSIONS ARE IN MILLIMETERS  
DIMENSIONS IN [ ] ARE IN INCHES  
FOR CUSTOMER REFERENCE ONLY

UNLESS OTHERWISE SPECIFIED  
TOLERANCES FOR MILLIMETERS ARE:  
0.5-6 = ± 0.2  
6-30 = ± 0.4  
30-120 = ± 0.6  
120-315 = ± 1  
315-1000 = ± 1.6  
1000-2000 = ± 2.4

DO NOT SCALE DRAWING

APPROVALS	DATE
DRAWN G.R.S.	03/07/00
CHECKED	
ISSUED	

**Connex**  
Connector Corporation

TITLE PANEL MOUNT CABLE TERMINATION (FOR RG-180B/U, 195/U CABLE)			
SIZE A	FSCM NO. 99001	DWG. NO. 142283.DWG	REV. NC
SCALE NA	PART NO. 142283	SHEET 1 OF 1	