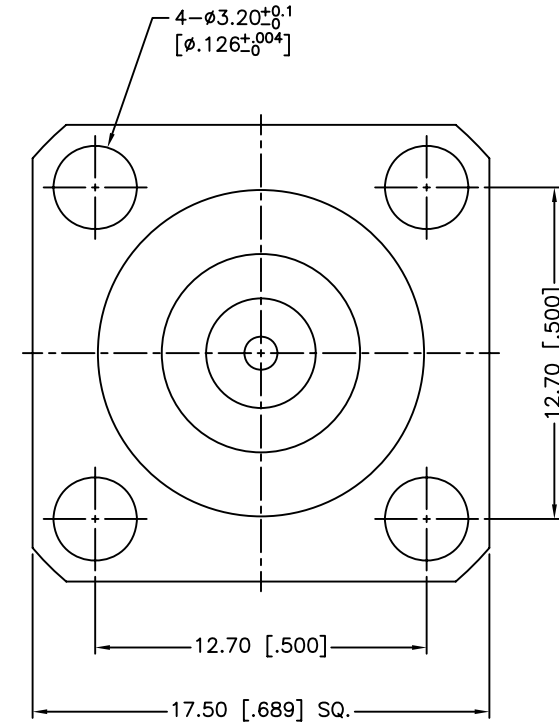
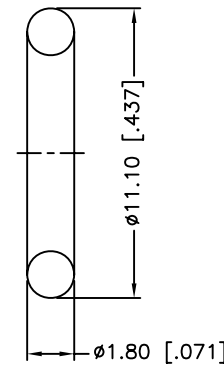
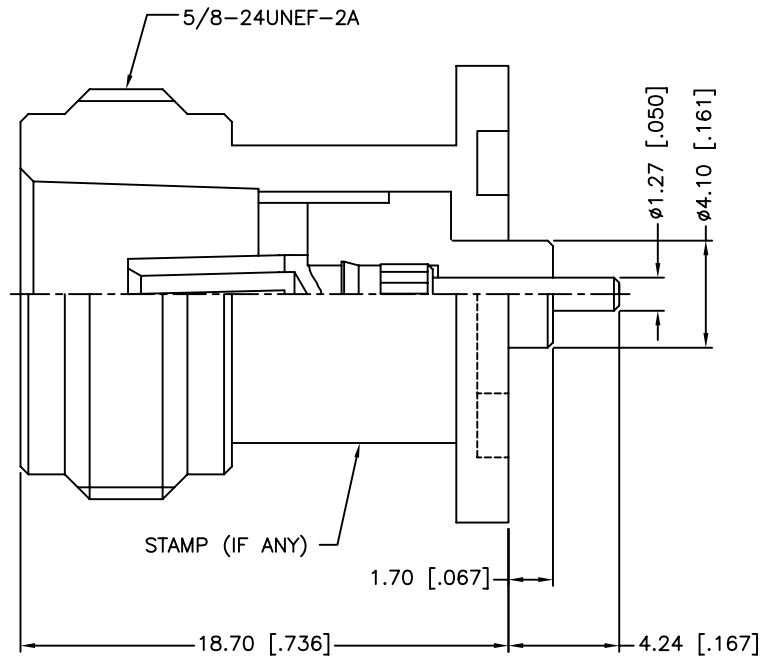


REV.	DATE	ECR NO.	DESCRIPTION
NC	05/17/04	XXXXXX	INITIAL RELEASE
A	09/25/13	2533	ADD ELECTRICAL/MECHANICAL NOTES, UPDATE FORMAT



1. IMPEDANCE: 50 OHM
2. FREQUENCY RANGE: 0-11 GHZ
3. VSWR: 1.3 MAX.
4. DIELECTRIC WITHSTANDING VOLTAGE: 2500 VRMS, MIN.
5. DURABILITY: 500 CYCLES MIN.
6. TEMPERATURE RANGE: -65°C TO +165°C

UNLESS OTHERWISE SPECIFIED DIMENSIONS ARE IN MILLIMETERS. DIMENSIONS IN [] ARE IN INCHES AND FOR CUSTOMER REFERENCE ONLY.
 UNLESS OTHERWISE SPECIFIED
 TOLERANCES FOR MILLIMETERS ARE:
 <0.5 ± 0.05mm
 0.5 - 6mm ± 0.10mm
 6 - 30mm ± 0.20mm
 30 - 120mm ± 0.30mm
 ANGLES ± 1°
 UNLESS OTHERWISE SPECIFIED
 TOLERANCES FOR INCHES ARE:
 <.020 ± 0.002"
 .020 - .236 = ± 0.004"
 .236 - 1.180 = ± 0.007"
 1.180 - 4.724 = ± 0.012"
 ANGLES ± 1°

QTY	FINISH	MATERIAL	DESCRIPTION
1	NEXCOTE	BRASS	BODY
1	NATURAL	PTFE	INSULATOR
1	GOLD	PHOSPHOR BRONZE	CONTACT PIN
1	NEXCOTE	BRASS	RING
1	RED	SILICONE RUBBER	GASKET
QTY	FINISH	MATERIAL	DESCRIPTION

APPROVALS	DATE
DRAWN M.ZHANG	09/25/13
CHECKED	
ISSUED	
SHEET 1 OF 1	
CAD FILE C:/CONNEX/172117-25.DWG	

Amphenol Connex			
PART DESCRIPTION N PANEL RECEPT. JACK EXTENDED TEFLON/CONTACT (.067"/.167")			
PART NO.		172117-25	
DWG. NO.	172117-25.DWG	REV.	A
SIZE	A	SCALE	NA

DO NOT SCALE DRAWING