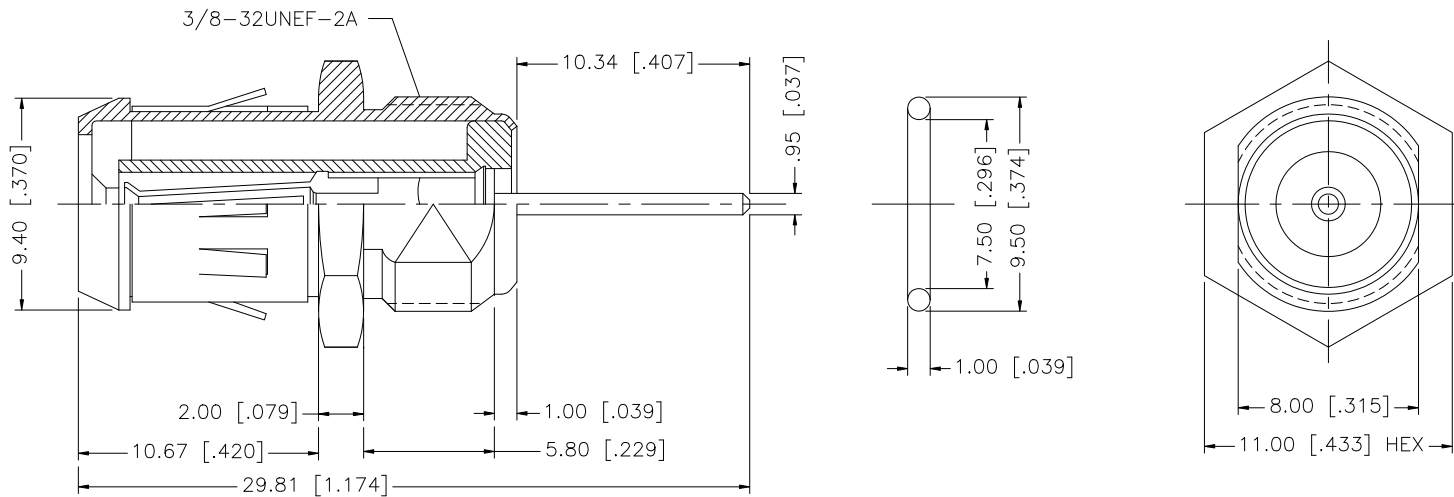


REV.	DATE	ECR NO.	DESCRIPTION
NC	02/24/04	-	INITIAL RELEASE
A	02/05/09	-	MODIFY CONTACT PIN LENGTH TO 10.34



NOTE:

1. ACCEPTS CENTER CONDUCTOR PIN RANGE .038" [.96] TO .065" [1.65].

				UNLESS OTHERWISE SPECIFIED DIMENSIONS ARE IN MILLIMETERS. DIMENSIONS IN [ ] ARE IN INCHES AND FOR CUSTOMER REFERENCE ONLY.	APPROVALS	DATE	<b>Amphenol Connex</b>												
8					DRAWN	GRS					02/05/09	PART DESCRIPTION <b>G JACK RECEPTACLE</b>							
7					CHECKED			PART NO. <b>222193</b>											
6					ISSUED											DWG. NO. 222193.DWG			
5	GASKET	N.B.R.	BLACK	1	SHEET	1 OF 1													
4	INSULATOR	TPX	BLUE	1	CAD FILE				C:/222/222193.DWG										
3	CONTACT PIN	BRASS/BER. COPPER	BRT. TIN	1	DO NOT SCALE DRAWING														
2	INSULATOR	PTFE	NATURAL	1															
1	BODY	BRASS	BRT. TIN	1															