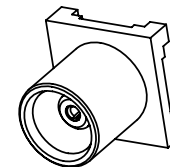


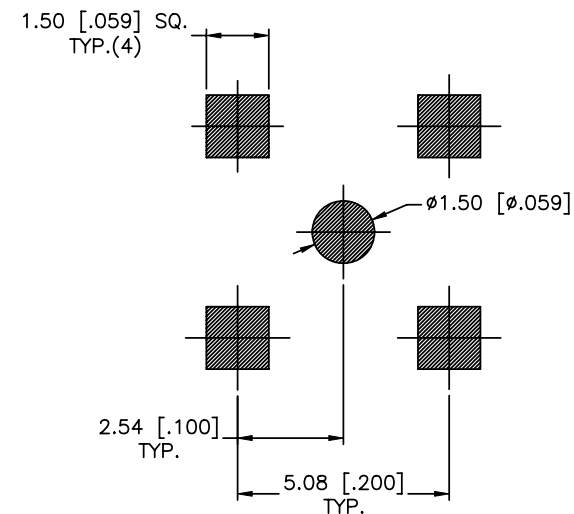
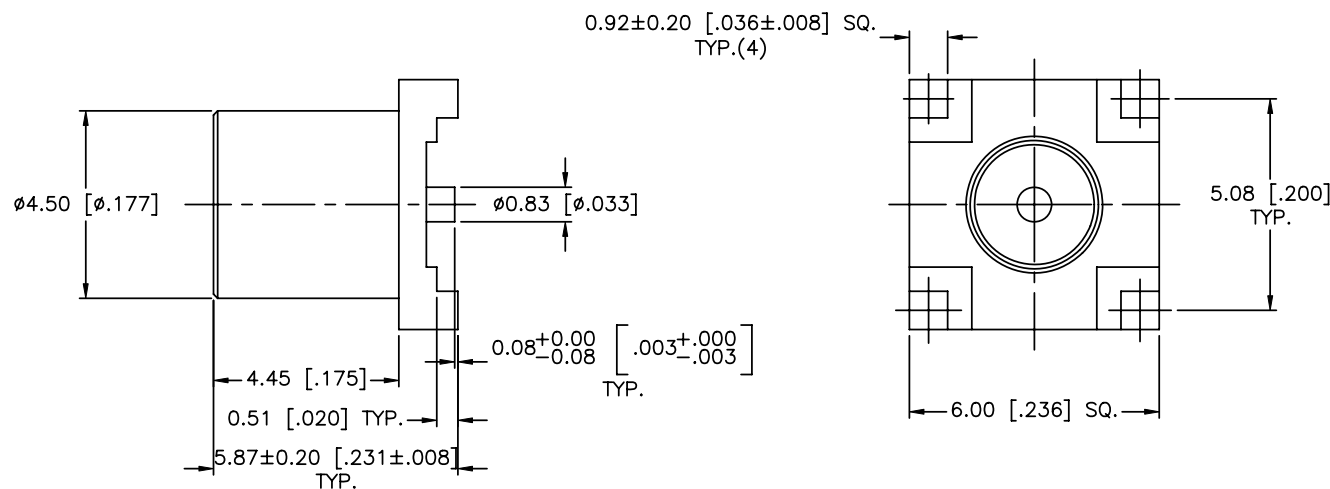
NOTES:

1. ELECTRICAL:
 - A. IMPEDANCE: 75 OHM
 - B. FREQUENCY RANGE: DC TO 6 GHz
 - C. DIELECTRIC WITHSTANDING VOLTAGE: 1000 VRMS, MIN.
2. MECHANICAL:
 - A. DURABILITY: 500 CYCLES MIN.
 - B. TEMPERATURE RANGE: -65°C TO +165°C

REV.	DATE	ECR NO.	DESCRIPTION
NC	07/25/13	XXXXXX	INITIAL RELEASE



SCALE 0.500



RECOMMENDED PCB MOUNTING HOLE

UNLESS OTHERWISE SPECIFIED DIMENSIONS ARE IN MILLIMETERS. DIMENSIONS IN [] ARE IN INCHES AND FOR CUSTOMER REFERENCE ONLY.
 UNLESS OTHERWISE SPECIFIED:
 TOLERANCES FOR MILLIMETERS ARE:
 <0.5 ± 0.05mm
 0.5 - 6mm ± 0.10mm
 6 - 30mm ± 0.20mm
 30 - 120mm ± 0.30mm
 ANGLES ± 1°
 UNLESS OTHERWISE SPECIFIED TOLERANCES FOR INCHES ARE:
 <.020 ± 0.002"
 .020 - .236 = ± 0.004"
 .236 - 1.180 = ± 0.007"
 1.180 - 4.724 = ± 0.012"
 ANGLES ± 1°

APPROVALS		DATE
DRAWN	T.DENG	07/25/13
CHECKED		
ISSUED		
SHEET	1 OF 3	
CAD FILE		C:/CONNEX/252116-75.DWG

Amphenol Connex

PART DESCRIPTION
MCX PCB RECEPTACLE JACK, 75 OHMS

PART NO. **252116-75**

DWG. NO. 252116-75.DWG REV. NC SIZE A SCALE NA

QTY	FINISH	MATERIAL	DESCRIPTION
1	NICKEL	BRASS	BODY
1	NATURAL	PTFE	INSULATOR
1	GOLD	BERYLLIUM COPPER	CONTACT PIN

DO NOT SCALE DRAWING