

NOTES:

1. MATERIALS AND FINISHES:
 BODY - BeCu, GOLD PLATING
 CONTACT - BeCu, GOLD PLATING
 INSULATOR - PTFE, NATURAL

2. ELECTRICAL:
 A. IMPEDANCE: 50 OHM
 B. FREQUENCY RANGE: DC - 40 GHz

3. MECHANICAL:
 A. DURABILITY: 100 CYCLES MIN. WHEN MATED WITH FULL DETENT AND LIMITED DETENT JACK
 1000 CYCLES MIN. WHEN MATED WITH SMOOTH BORE JACK
 B. TEMPERATURE RANGE: -65° C TO +165° C

4. PACKAGING:
 A. QUANTITY: SINGLE PACK
 B. MARKING: BAG TO BE MARKED
 "AMPHENOL RF, 925-200P-5IS, AND DATE CODE"

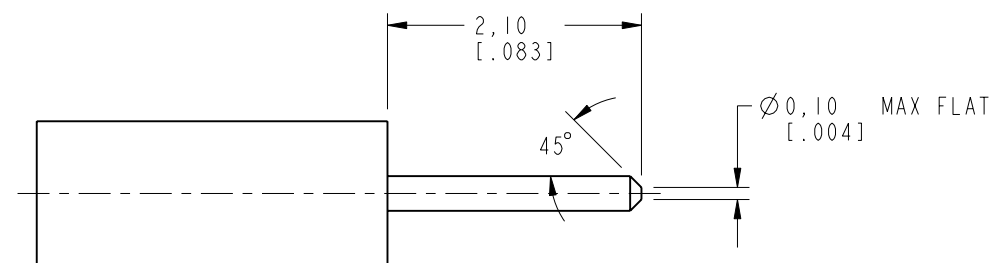
5. CABLE ASSEMBLY INSTRUCTIONS:
 A. TRIM CABLE AS SHOWN
 B. SOLDER OUTER CONDUCTOR OF CABLE TO REAR BODY.

6 SHOWS CABLE ENTRY DIMENSIONS

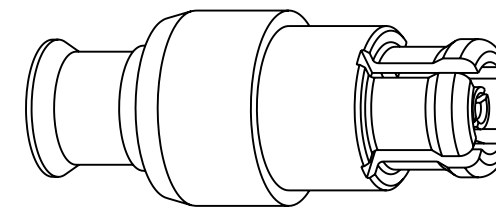
THIRD ANGLE PROJ.

REVISIONS

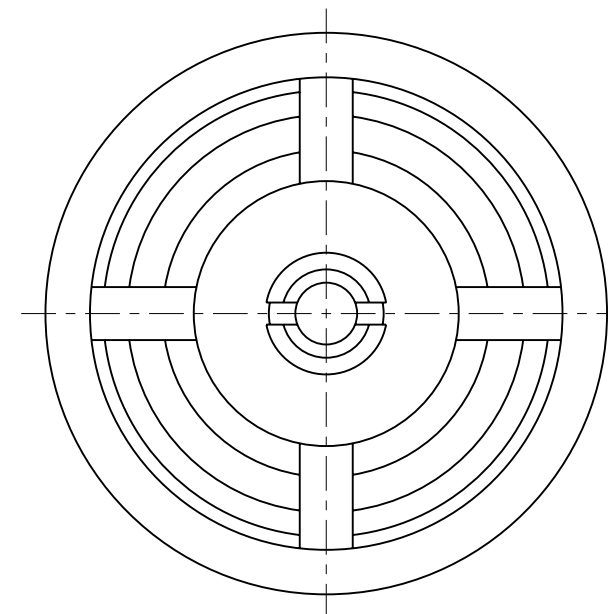
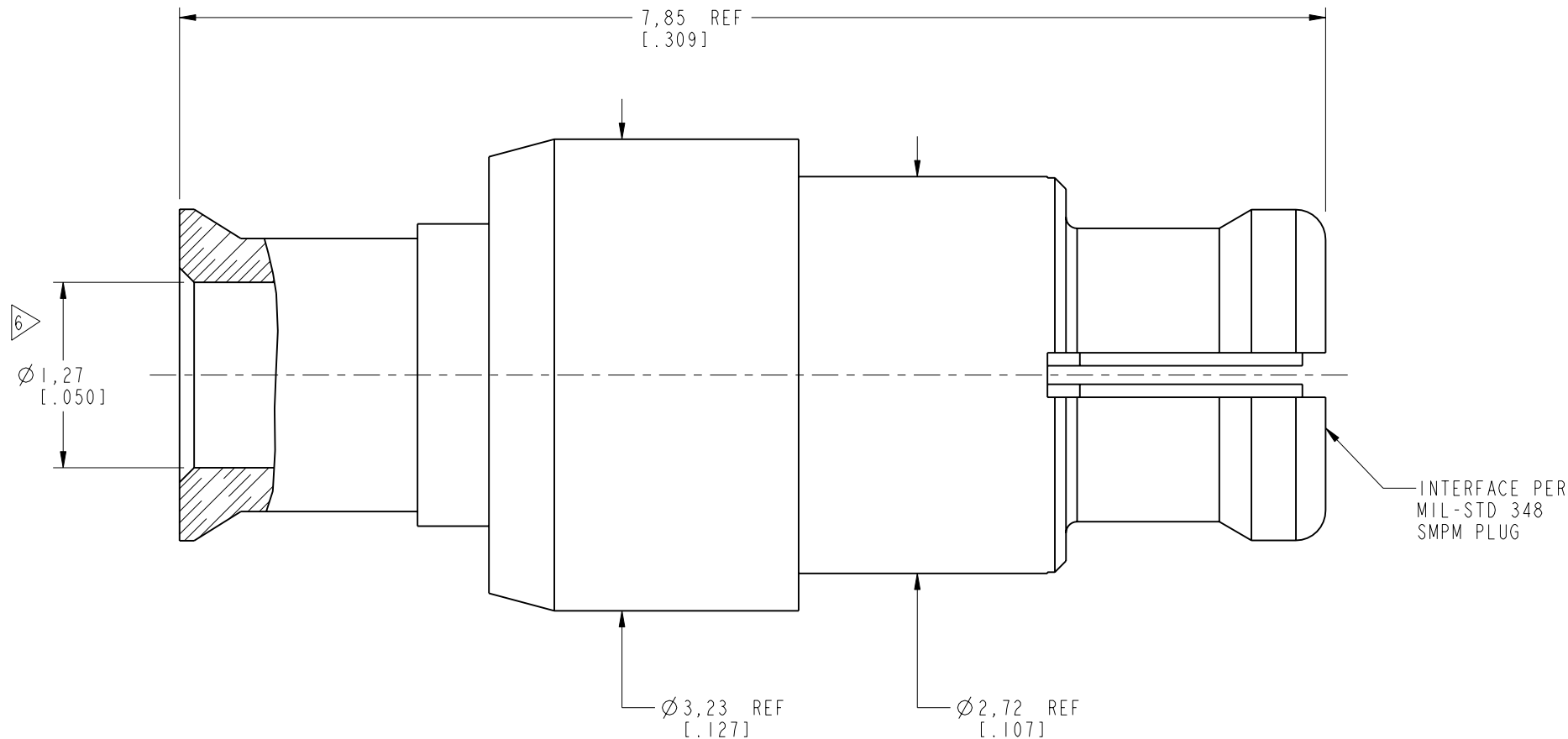
REV	DESCRIPTION	DATE	ECN	APPR
A	RELEASE TO MFG.	15-Feb-19	10463	EH



RECOMMENDED CABLE STRIPPING DIMENSIONS



SCALE 8.000



CUSTOMER OUTLINE DRAWING

ALL OTHER SHEETS ARE FOR INTERNAL USE ONLY

UNLESS OTHERWISE SPECIFIED, DIMENSIONS ARE IN METRIC AND TOLERANCES ARE: <0.5mm ±0.05mm 0.5 - 6mm ±0.1mm 6 - 30mm ±0.2mm 30 - 120mm ±0.3mm ANGLES ±1°	MATERIAL SEE NOTE 1	DRAWN STAR	DATE 20-Feb-19	TITLE SMPM PLUG FOR 0.047" CONFORMABLE CABLE	Amphenol RF www.amphenolrf.com	
	REFERENCE EAR# 8504	ENGINEER SUNDE	DATE 20-Feb-19			DRAWING NO. 925-200P-5IS
NOTICE - These drawings, specifications, or other data (1) are, and remain the property of Amphenol corp. (2) must be returned upon request; and (3) are confidential and not to be disclosed to any person other than those to whom they are given by Amphenol Corp. the furnishing of these drawings, specifications, or other data by Amphenol Corp., or to any other person to anyone for any purpose is not to be regarded by implication or otherwise in any manner licensing, granting rights to permitting such holder or any other person to manufacture, use or sell any product, process or design, patented or otherwise, that may in any way be related to or disclosed by said drawings, specifications, or other data.	REF:	APPROVED S.HSIEH	DATE 20-Feb-19	SCALE: 23.0:1.0 SHEET 2 OF 2	ITEM NO. 925-200P-5IS	
	CONFIGURATION LEVEL: In Work	CAD FILE	DWG SIZE B		REV A	PART NO. 925-200P-5IS
	FINISH					