

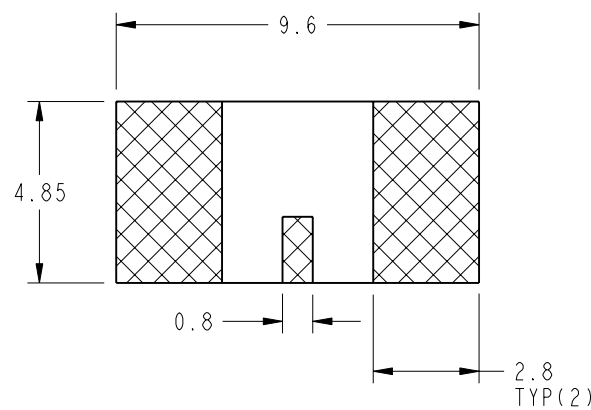
NOTES:

1. MATERIALS AND FINISHES:
 BODY - BRASS, GOLD PLATING.
 CONTACT - BRASS, GOLD PLATING.
 INSULATOR - PTFE, NATURAL
 CAP - BRASS, ALBALOY PLATING
2. ELECTRICAL:
 A. IMPEDANCE: 50 OHM
 B. FREQUENCY RANGE: DC - 2 GHz
 C. VSWR(RETURN LOSS): 1.2 MAX AT 2 GHz
3. MECHANICAL:
 A. DURABILITY: 500 CYCLES MIN.
 B. TEMPERATURE RANGE: -65° C TO +165° C
4. PACKAGING:
 A. QUANTITY: SINGLE PACK CONNECTOR,
 BULK PACK HEX NUT, LOCKWASHER, & CAP IN BAG
 (500 PCS. PER BAG)
 B. MARKING: BAG TO BE MARKED
 "AMPHENOL RF, 901-10276, AND DATE CODE"

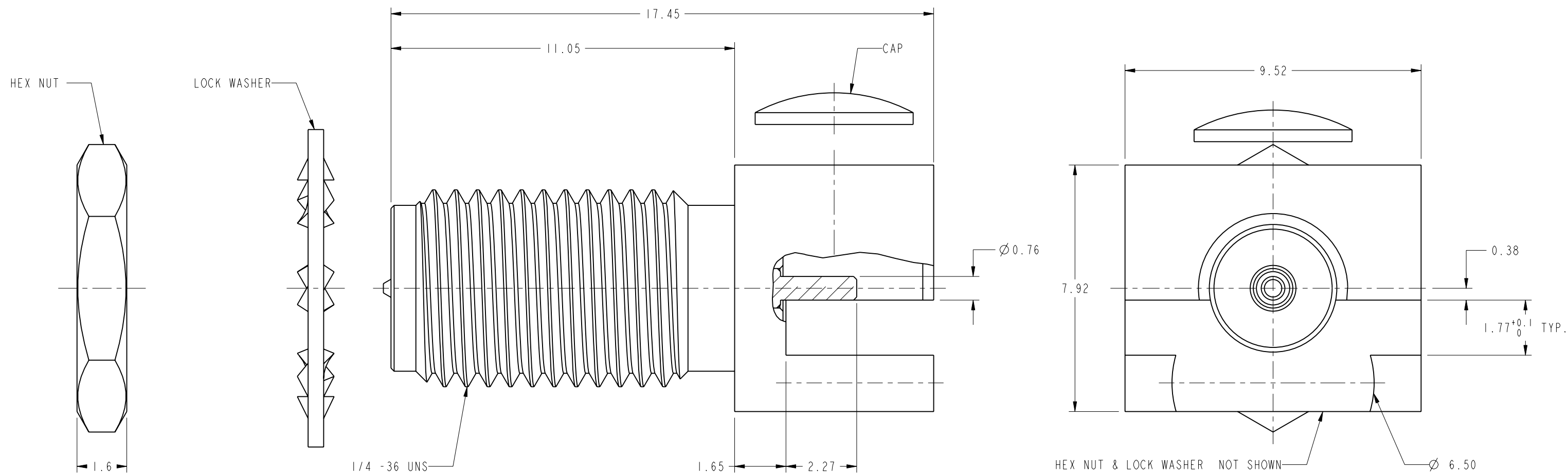
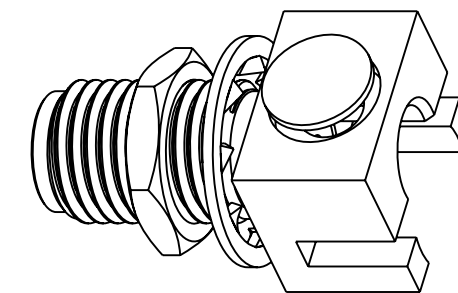
THIRD ANGLE PROJ.

REVISIONS

REV	DESCRIPTION	DATE	ECO	APPR
A	RELEASE TO MFG	--	47725	AAP
B	1.77 ^{+0.1} ₋₀ TYP. WAS 1.73	29-Apr-11	48565	SH
C	REVISE PACKAGING NOTE 4	07-May-18	08041	KCE



RECOMMENDED PAD LAYOUT



CUSTOMER OUTLINE DRAWING

ALL OTHER SHEETS ARE FOR INTERNAL USE ONLY

UNLESS OTHERWISE SPECIFIED, DIMENSIONS ARE IN METRIC AND TOLERANCES ARE: <0.5mm ±0.05mm 0.5 - 6mm ±0.1mm 6 - 30mm ±0.2mm 30 - 120mm ±0.3mm ANGLES ±1° NOTICE - These drawings, specifications, or other data (1) are, and remain the property of Amphenol corp. (2) must be returned upon request; and (3) are confidential and not to be disclosed to any person other than those to whom they are given by Amphenol Corp. the furnishing of these drawings, specifications, or other data by Amphenol Corp., or to any other person to anyone for any purpose is not to be regarded by implication or otherwise in any manner licensing, granting rights to permitting such holder or any other person to manufacture, use or sell any product, process or design, patented or otherwise, that may in any way be related to or disclosed by said drawings, specifications, or other data.	MATERIAL	DRAWN S. DUAN	DATE 08-May-18	TITLE SMA RP JACK BHD EDGE MOUNT	Amphenol RF www.amphenolrf.com
	REFERENCE EAR # 3103 AND 615X-2446-100	ENGINEER PADMANABHAN E	DATE 25-Apr-11		
	CONFIGURATION LEVEL:	APPROVED S. HSIEH	DATE 08-May-18	ITEM NO. 901-10276	
	FINISH	CAD FILE	SCALE: 8.0:1.0	SHEET 2 OF 2	PART NO. 901-10276