

NOTES: FINISH (PLATING THICKNESS IN MICRO-INCHES)

- MATERIALS AND FINISHES (IN MICRO-INCHES):
 - BODY = BRASS (PER QQ-B-626, ALLOY 360, 1/2 H OR EQUIVALENT)
NICKEL PL. 100 MIN. THICK OVER COPPER STRIKE
 - CONTACT = BERYLLIUM COPPER (PER QQ-C-530, ALLOY 173, 1/2 H OR EQUIVALENT)
GOLD PL. 30 MIN. THICK OVER NICKEL PL. 100 MIN THICK OVER COPPER STRIKE
 - INSULATOR = PTFE PER MIL-P-19468; NATURAL.
 - LOCK COVER = NYLON 66 WITH 33% GLASS FILLED, PER NYTEX COMPOSITES CO., LTD.
GRADE MG-0033N-V0 ORE EQUIVALENT (REFER TO TABLE FOR KEY CODE COLOR)
 - FERRULE = COPPER (PER ASTM-B-75 ALLOY C12200 OR EQUIVALENT)
NICKEL PL. 100 MIN. THICK OVER COPPER STRIKE

- ELECTRICAL:
 - A. IMPEDANCE : 50 OHM NOMINAL
 - B. FREQUENCY RANGE : DC - 3 GHz
 - C. VSWR[RETURN LOSS]: 1.200 [-20.8 dB], MAX.(DC-200 MHz)
(MATED PAIR) 1.400 [-15.6 dB], MAX.(200 MHz-2.0 GHz)
1.500 [-13.9 dB], MAX.(2.0-3.0 GHz)
 - D. D.W.V. : 800 VRMS, MIN.

- MECHANICAL:
 - A. DURABILITY : 100 CYCLES MIN.
 - B. TEMPERATURE RANGE: -40° C TO +85° C

- PACKAGING:
 - A. QUANTITY: SINGLE PACK
 - B. MARK BAG: AMPHENOL RF
FAI-NXSJ-C04Y0
DATE CODE
ASSEMBLY INSTRUCTION: 349-50782

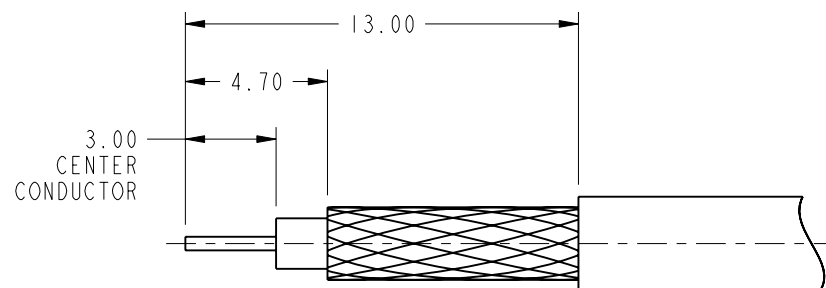
- A. CRIMPED CONTACT PIN
HEX CRIMP SIZE 1.16 mm
 - B. CRIMPED FERRULE
HEX CRIMP SIZE 0.213"

6 SHOWS CABLE ENTRY DIMENSIONS

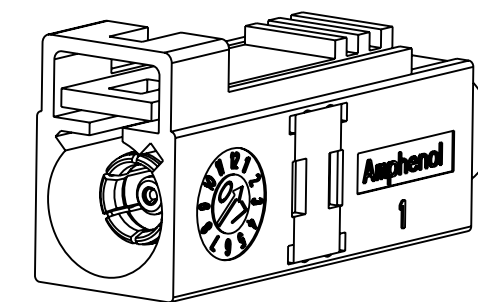
THIRD ANGLE PROJ.

REVISIONS

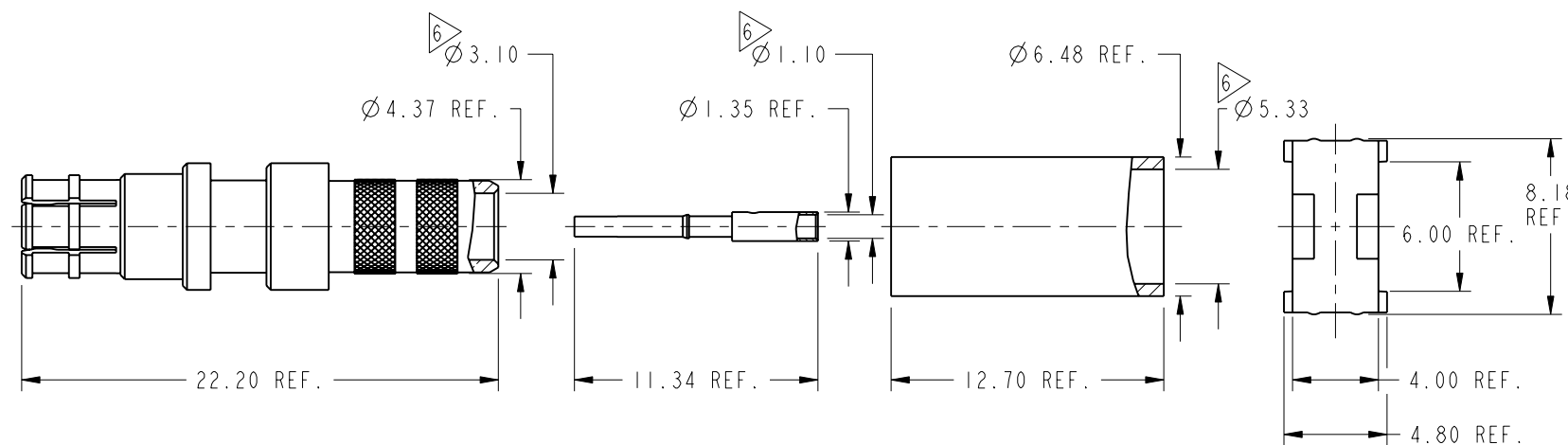
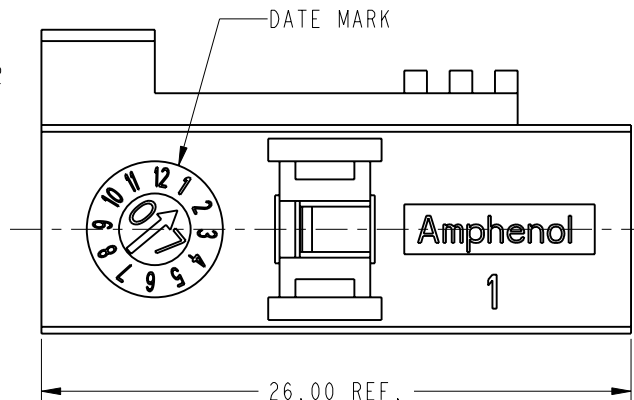
REV	DESCRIPTION	DATE	ECO	APPR
A	RELEASE TO MFG.	25-Jul-14	50012	CL



RECOMMENDED CABLE STRIPPING DIMENSIONS



SCALE 2.500



KEY CODING	PART NO.	COLOR	RAL NO.
A	FAI-NASJ-C04Y0	JET BLACK	9005
B	FAI-NBSJ-C04Y0	CREAM	9001
C	FAI-NCSJ-C04Y0	SIGNAL BLUE	5005
D	FAI-NDSJ-C04Y0	CLARET VIOLET	4004
E	FAI-NESJ-C04Y0	LEAF GREEN	6002
F	FAI-NFSJ-C04Y0	NUT BROWN	8011
G	FAI-NGSJ-C04Y0	BLUE GREY	7031
H	FAI-NHSJ-C04Y0	HEATHER VIOLET	4003
I	FAI-NISJ-C04Y0	BEIGE	1001
K	FAI-NKSJ-C04Y0	CURRY	1027
L	FAI-NLSJ-C04Y0	CARMINE RED	3002
M	FAI-NMSJ-C04Y0	PASTEL ORANGE	2003
N	FAI-NNSJ-C04Y0	PASTEL GREEN	6019
Z	FAI-NZSJ-C04Y0	WATER BLUE	5021

CONFIGURATION CONTROL:
NO CHANGES PERMITTED TO DRAWING WITHOUT
PPAP QUALIFIED CUSTOMER APPROVAL

CUSTOMER OUTLINE DRAWING

ALL OTHER SHEETS ARE FOR INTERNAL USE ONLY

UNLESS OTHERWISE SPECIFIED, DIMENSIONS ARE IN METRIC AND TOLERANCES ARE: <0.5mm ±0.05mm 0.5 - 6mm ±0.1mm 6 - 30mm ±0.2mm 30 - 120mm ±0.3mm ANGLES ±1°	MATERIAL	DRAWN	DATE	TITLE FAKRA SMB CRIMP JACK (FOR RG 58A/U, 58C/U CABLE)		Amphenol RF www.amphenolrf.com	
	SEE NOTES	CLEMENT	02-May-14				
	REFERENCE	ENGINEER	DATE	SCALE: 3.0:1.0 SHEET 2 OF 2		DRAWING NO. FAI-NXSJ-C04Y0 ITEM NO. FAI-NXSJ-C04Y0	
	EAR # 6224	B.C.GLEISSNER	02-May-14				
NOTICE - These drawings, specifications, or other data (1) are, and remain the property of Amphenol corp. (2) must be returned upon request; and (3) are confidential and not to be disclosed to any person other than those to whom they are given by Amphenol Corp. the furnishing of these drawings, specifications, or other data by Amphenol Corp., or to any other person for any purpose is not to be regarded by implication or otherwise in any manner licensing, granting rights to permitting such holder or any other person to manufacture, use or sell any product, process or design, patented or otherwise, that may in any way be related to or disclosed by said drawings, specifications, or other data.	CONFIGURATION LEVEL: In Work	APPROVED	DATE	DWG SIZE B		REV A	
FINISH	B.C.GLEISSNER	25-Jul-14					