

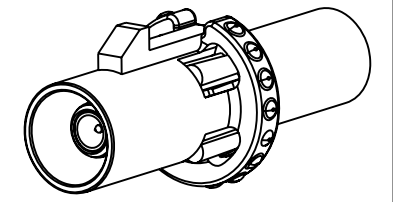
NOTES:

1. MATERIALS AND FINISHES (PLATING THICKNESS IN MICRO-INCHES):
 BODY - ZINC DIECAST, NICKEL PL. (150 MIN/200MAX).THICK OVER COPPER PL. (100 MIN/200MAX)THICK
 CONTACT - BRASS, GOLD PL. 30 MIN. THICK OVER NICKEL PL. 100 MIN. THICK OVER NICKEL STRIKE
 INSULATOR - PTFE PER ASTM D1710
 FERRULE - NICKEL PL. 100 MIN.THICK OVER COPPER STRIKE
 HOUSING - NYLON 46,30% GLASS FILLED,COLOR PER TABLE
2. ELECTRICAL:
 A. IMPEDANCE : 50 OHM NOMINAL
 B. FREQUENCY RANGE : DC - 3 GHz
 C. VSWR[RETURN LOSS]: 1.200 [-20.8 dB], MAX.(DC-200 MHz)
 (MATED PAIR) 1.400 [-15.6 dB], MAX.(200 MHz-2.0 GHz)
 1.500 [-13.9 dB], MAX.(2.0-3.0 GHz)
 D. D.W.V. : 800 VRMS, MIN.
3. MECHANICAL:
 A. DURABILITY : 100 CYCLES MIN.
 B. TEMPERATURE RANGE: -40° C TO +85° C
4. PACKAGING:
 A. QUANTITY: SINGLE PACK
 B. MARK BAG: AMPHENOL RF
 2FAI-NXSP-C04YI
 DATE CODE
 ASSEMBLY INSTRUCTION: 349-50695

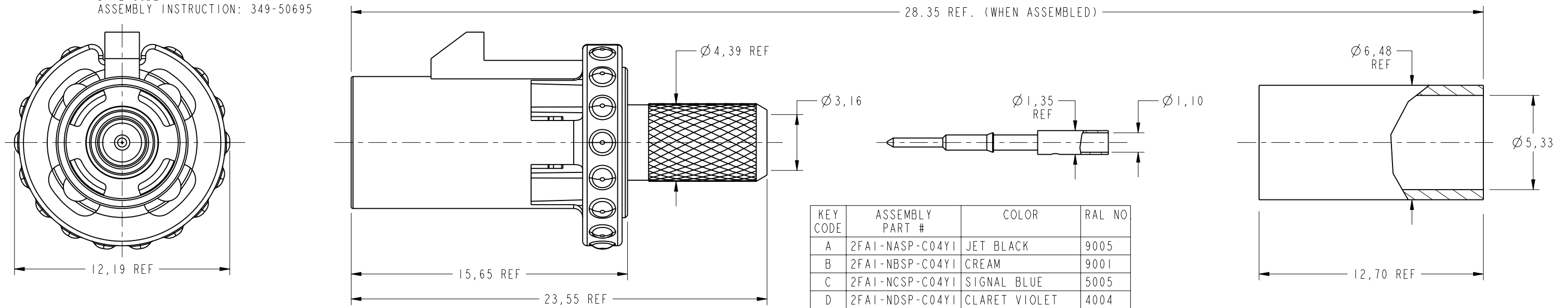
THIRD ANGLE PROJ.

REVISIONS

REV	DESCRIPTION	DATE	ECO	APPR
A	RELEASE TO MFG.	25-Jul-14	50012	CL



SCALE 2.000



KEY CODE	ASSEMBLY PART #	COLOR	RAL NO
A	2FAI-NASP-C04YI	JET BLACK	9005
B	2FAI-NBSP-C04YI	CREAM	9001
C	2FAI-NCSP-C04YI	SIGNAL BLUE	5005
D	2FAI-NDSP-C04YI	CLARET VIOLET	4004
E	2FAI-NESP-C04YI	LEAF GREEN	6002
F	2FAI-NFSP-C04YI	NUT BROWN	8011
G	2FAI-NGSP-C04YI	BLUE GREY	7031
H	2FAI-NHSP-C04YI	HEATHER VIOLET	4003
I	2FAI-NISP-C04YI	BEIGE	1001
K	2FAI-NKSP-C04YI	CURRY	1027
L	2FAI-NLSP-C04YI	CARMINE RED	3002
M	2FAI-NMSP-C04YI	PASTEL ORANGE	3003
N	2FAI-NNSP-C04YI	PASTEL GREEN	6019
Z	2FAI-NZSP-C04YI	WATER BLUE	5021

CONFIGURATION CONTROL:
 NO CHANGES PERMITTED TO DRAWING WITHOUT
 PPAP QUALIFIED CUSTOMER APPROVAL

CUSTOMER OUTLINE DRAWING
 ALL OTHER SHEETS ARE FOR INTERNAL USE ONLY

UNLESS OTHERWISE SPECIFIED, DIMENSIONS ARE IN METRIC AND TOLERANCES ARE: <0.5mm ±0.05mm 0.5 - 6mm ±0.1mm 6 - 30mm ±0.2mm 30 - 120mm ±0.3mm ANGLES ±1°	MATERIAL	DRAWN	DATE	TITLE FAKRA STRAIGHT PLUG C04 CABLE GROUP (RG-58)	Amphenol RF www.amphenolrf.com
	SEE NOTES	CLEMENT	02-May-14		
NOTICE - These drawings, specifications, or other data (1) are, and remain the property of Amphenol corp. (2) must be returned upon request; and (3) are confidential and not to be disclosed to any person other than those to whom they are given by Amphenol Corp. the furnishing of these drawings, specifications, or other data by Amphenol Corp., or to any other person to anyone for any purpose is not to be regarded by implication or otherwise in any manner licensing, granting rights to permitting such holder or any other person to manufacture, use or sell any product, process or design, patented or otherwise, that may in any way be related to or disclosed by said drawings, specifications, or other data.	REFERENCE	ENGINEER	DATE	SCALE: 4.5:1.0 SHEET 2 OF 2	DRAWING NO.2FAI-NXSP-C04YI ITEM NO.2FAI-NXSP-C04YI PART NO.2FAI-NXSP-C04YI
	EAR # 6224	B.C.GLEISSNER	02-May-14		
	CONFIGURATION LEVEL: In Work	APPROVED	B.C.GLEISSNER	DATE	DWG SIZE
FINISH			25-Jul-14	B	A