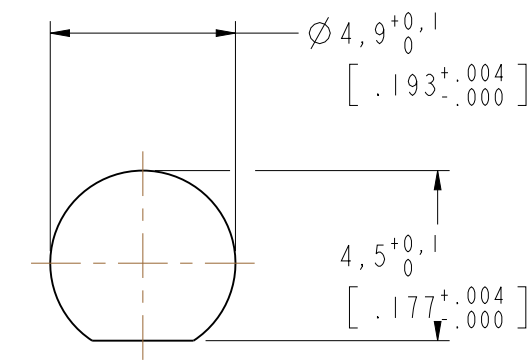
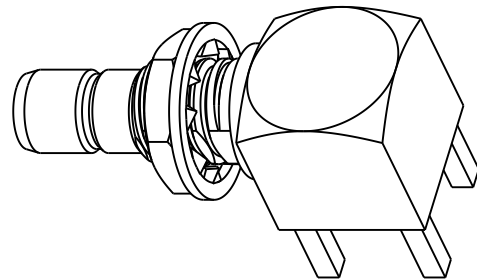
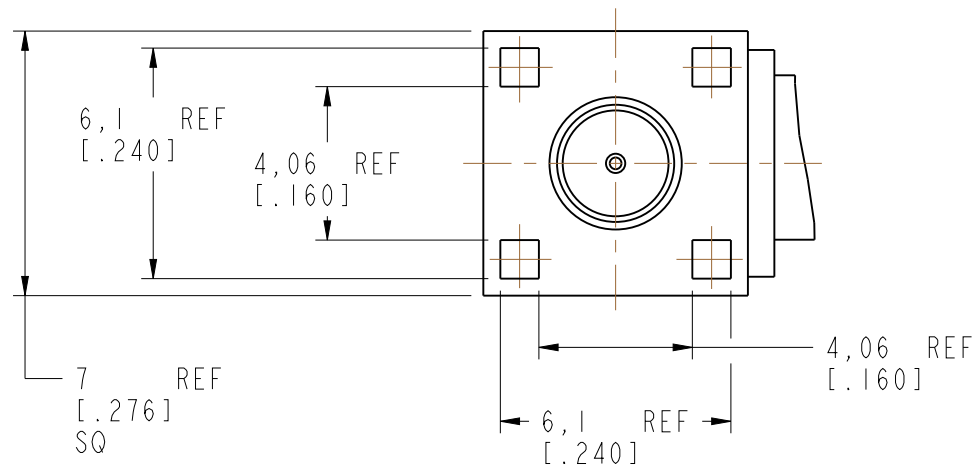


NOTES:

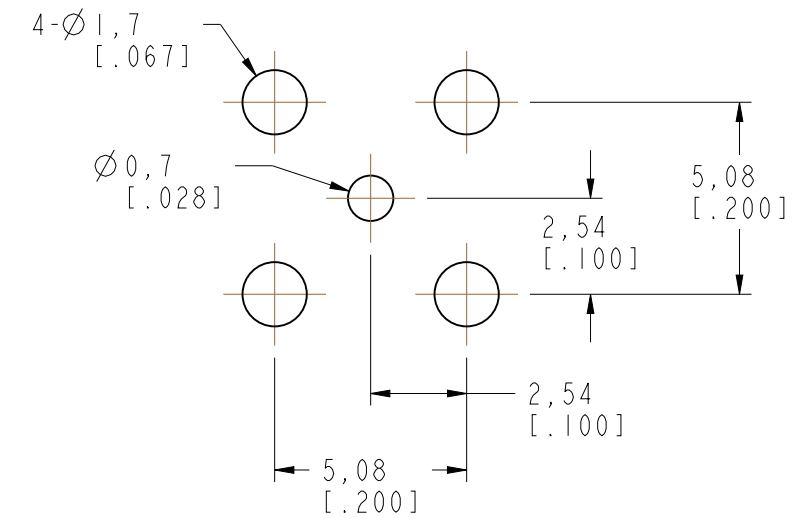
1. MATERIAL AND FINISH  
 BODY - BRASS, GOLD PLATING  
 CONTACT - BRASS, GOLD PLATING  
 INSULATOR - PTFE, NATURAL
2. ELECTRICAL:  
 A. IMPEDANCE: 75 OHM  
 B. FREQUENCY RANGE: 0-4 GHz  
 C. DIELECTRIC WITHSTANDING VOLTAGE: 750 VRMS. MIN.
3. MECHANICAL:  
 A. DURABILITY: 500 CYCLES MIN.  
 B. TEMPERATURE RANGE: -65°C TO +165°C

4. PACKAGING  
 A. SINGLE PACK.  
 B. BAG TO BE MARKED "AMPHENOL RF,  
 142184-75  
 SMB74971-001-3GT30G-75  
 DATE CODE"

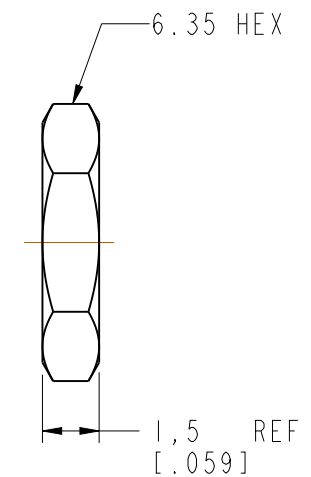
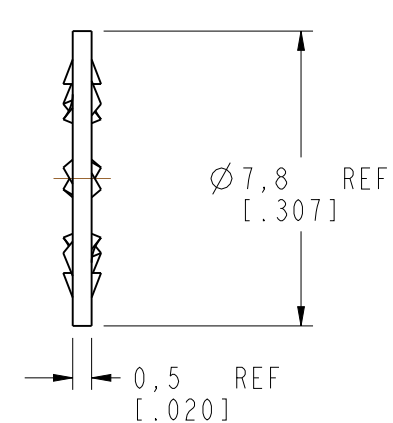
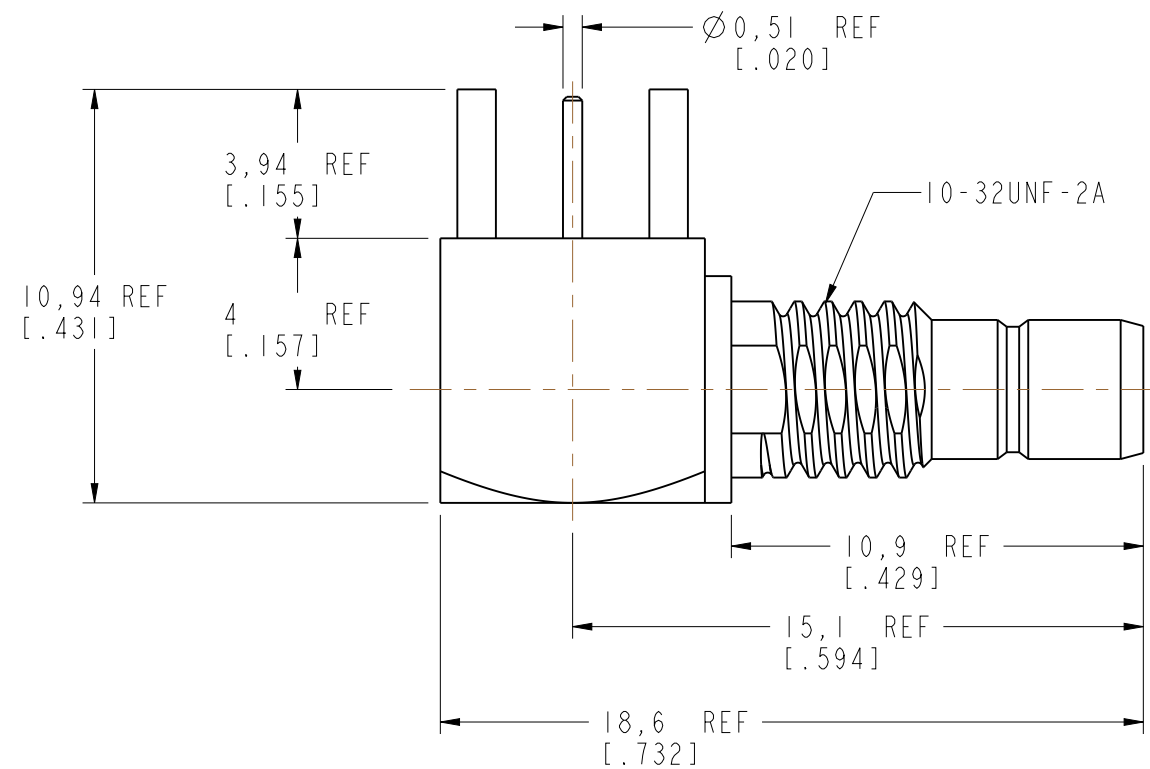
REVISIONS				
REV	DESCRIPTION	DATE	ECN	BY
A	RELEASE TO MFG.	24-AUG-04		TONY
B	ADD PART NO, UPDATE BODIES	5-DEC-20	15470	EW



RECOMMENDED MOUNTING HOLE



PCB MOUNTING HOLE



**CUSTOMER OUTLINE DRAWING**  
 ALL OTHER SHEETS ARE FOR INTERNAL USE ONLY

NOTICE: These drawings, specifications, or other data (1) are, and remain the property of Amphenol corp. (2) must be returned upon request; and (3) are confidential and not to be disclosed to any person other than those to whom they are given by Amphenol Corp. The furnishing of these drawings, specifications, or other data by Amphenol Corp., or to any other person to anyone for any purpose is not to be regarded by implication or otherwise in any manner licensing, granting rights to permitting such holder or any other person to manufacture, use or sell any product, process or design, patented or otherwise, that may in any way be related to or disclosed by said drawings, specifications, or other data.

UNLESS OTHERWISE SPECIFIED  
 DIMENSIONS ARE METRIC (INCHES) AND TOLERANCES ARE:  
 <0.5mm = ±0.05mm [ $\pm 0.020 = \pm 0.002$ ]  
 >0.5 - 6mm = ±0.1mm [ $\pm 0.020 - 0.236 = \pm 0.004$ ]  
 >6.00 - 30mm = ±0.2mm [ $\pm 0.236 - 1.181 = \pm 0.008$ ]  
 >30.00 - 120mm = ±0.3mm [ $\pm 1.181 - 4.725 = \pm 0.012$ ]

MATERIAL

ENGINEER  
 E.W.U

TITLE

MINI 75 OHM SMB R/A  
 PCB. JACK

DATE

5-DEC-20

SHEET NO. 2 OF 2

SCALE: 5.0:1.0

SIZE

B

DRAWING NO. SMB74971-001-3GT30G-75  
 ITEM NO. 127497AAAA1GE7F  
 PART NO. 142184-75

REV

B

THIRD ANGLE PROJ.

REFERENCE

EAR#

EAR #

ANGLES = ±1°