

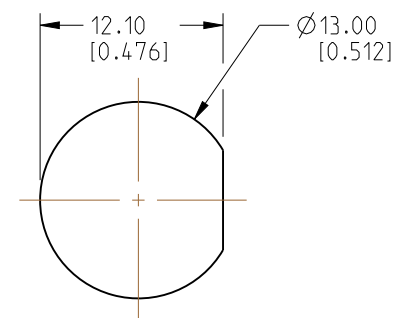
NOTES:

1. MATERIALS AND FINISHES:  
 BODY, INNER FERRULE, HEX NUT, SLEEVE & LOCK WASHER - BRASS, NICKEL PLATING  
 CONTACT - BeCu, GOLD PLATING  
 BULLET CONTACT - BRASS, GOLD PLATING  
 INSULATOR & INSULATOR DISC - PTFE, NATURAL  
 O-RING - SILICONE RUBBER, RED
2. ELECTRICAL:  
 A. IMPEDANCE: 50 OHM  
 B. FREQUENCY RANGE: DC - 9 GHz  
 C. VSWR: 1.30 MAX. DC - 3 GHz  
     1.40 MAX. 3 - 9 GHz  
 D. DIELECTRIC WITHSTANDING VOLTAGE: 500 VRMS, MIN.
3. MECHANICAL:  
 A. DURABILITY: 500 CYCLES MIN.  
 B. TEMPERATURE RANGE: -65°C TO +165°C

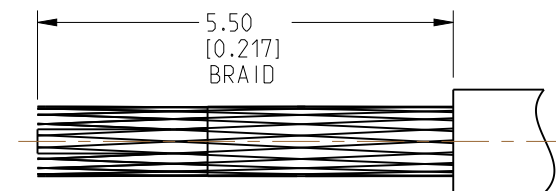
4. PACKAGING:  
 A. QUANTITY: SINGLE PACK  
 B. MARKING: PACKAGING TO BE MARKED "AMPHENOL RF, 31-6995 AND DATE CODE"
5. CABLE ASSEMBLY INSTRUCTIONS:  
 A. TRIM CABLE AS SHOWN (TWO STAGE TRIM).  
 B. INSERT CABLE THROUGH INNER FERRULE AND PEEL BRAID BACK, OVER INNER FERRULE.  
 C. INSTALL SLEEVE AND INSULATOR DISC OVER CABLE, BOTTOMING ON INNER FERRULE.  
 D. SOLDER BULLET CONTACT TO CABLE CENTER CONDUCTOR, BOTTOMING ON INSULATOR DISC.  
 E. INSERT CABLE INTO CONNECTOR UNTIL IT BOTTOMS.  
 F. CRIMP BODY OVER INNER FERRULE USING 0.105" HEX

▷ SHOWS CABLE ENTRY DIMENSIONS.

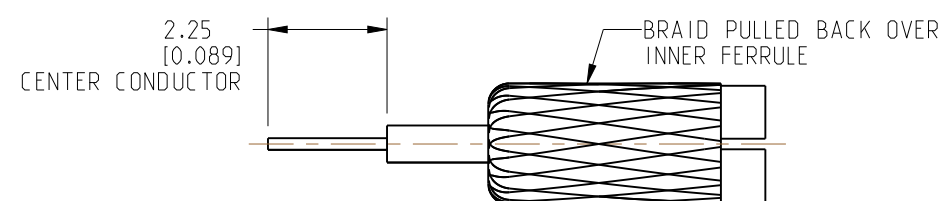
| REVISIONS |                 |           |       |    |
|-----------|-----------------|-----------|-------|----|
| REV       | DESCRIPTION     | DATE      | ECN   | BY |
| A         | RELEASE TO MFG. | 07-JUN-24 | 17059 | SH |



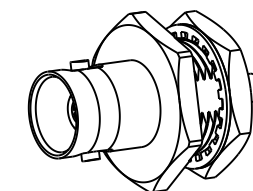
**RECOMMENDED MOUNTING HOLE DIMENSIONS**



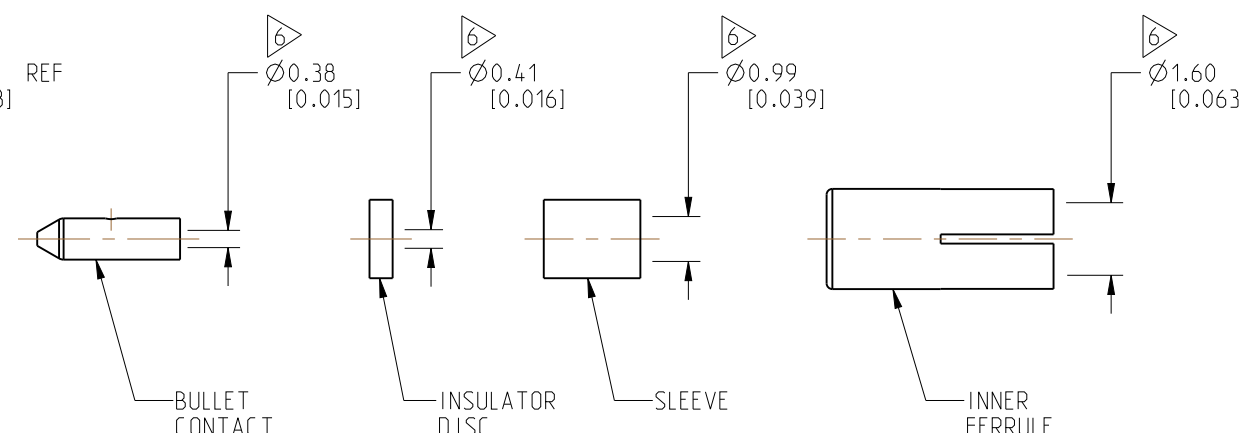
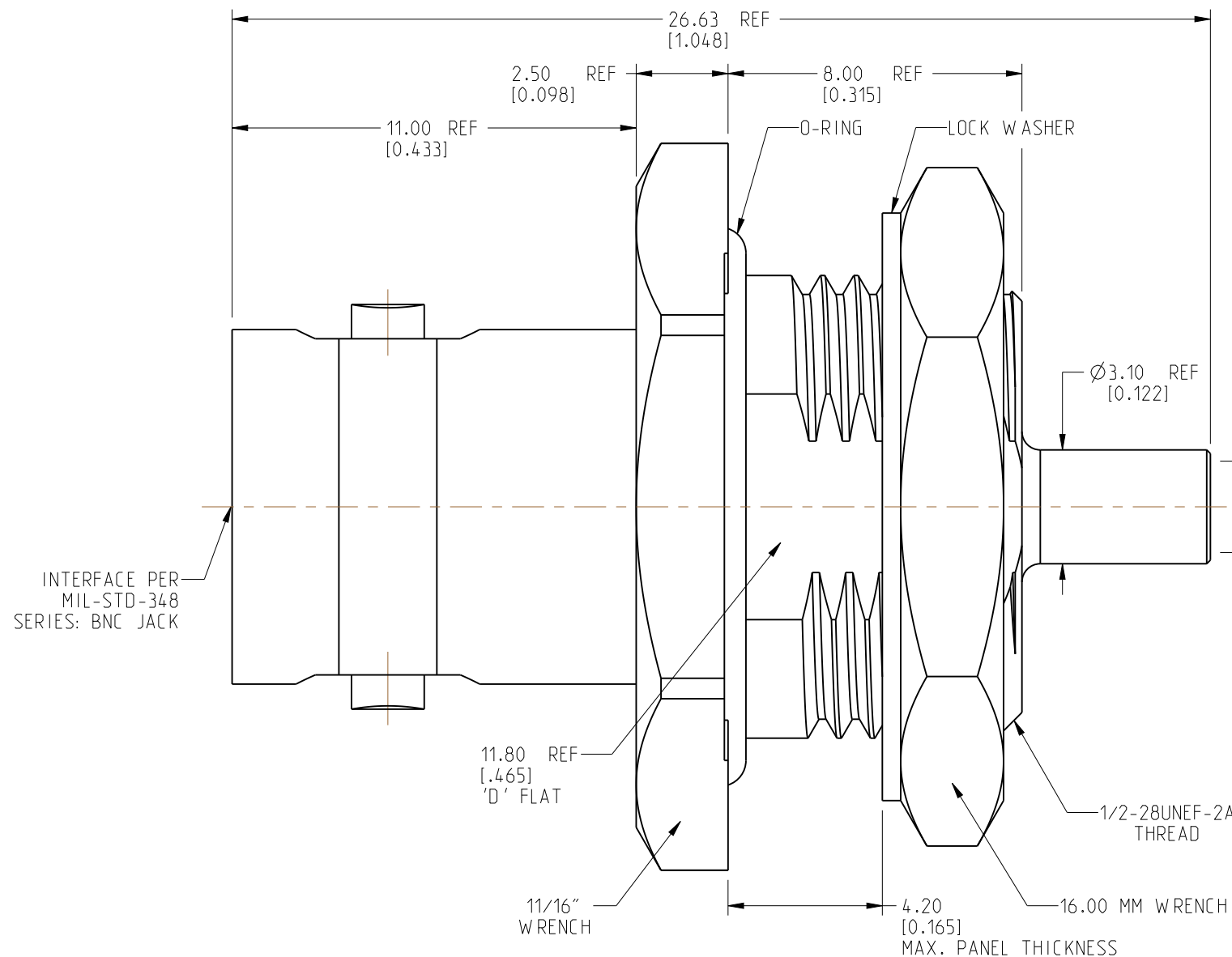
**RECOMMENDED CABLE STRIPPING DIMENSIONS (TRIM 1)**



**RECOMMENDED CABLE STRIPPING DIMENSIONS (TRIM 2)**



SCALE 1.200



**CUSTOMER OUTLINE DRAWING**

ALL OTHER SHEETS ARE FOR INTERNAL USE ONLY

NOTICE: These drawings, specifications, or other data (1) are, and remain the property of Amphenol corp. (2) must be returned upon request; and (3) are confidential and not to be disclosed to any person other than those to whom they are given by Amphenol Corp. The furnishing of these drawings, specifications, or other data by Amphenol Corp., or to any other person to anyone for any purpose is not to be regarded by implication or otherwise in any manner licensing, granting rights to permitting such holder or any other person to manufacture, use or sell any product, process or design, patented or otherwise, that may in any way be related to or disclosed by said drawings, specifications, or other data.

UNLESS OTHERWISE SPECIFIED DIMENSIONS ARE METRIC (INCHES) AND TOLERANCES ARE:  
 <0.5mm = ±0.05mm [-0.020 = ±0.002]  
 >0.5 - 6mm = ±0.1mm [-0.020 - 0.236 = ±0.004]  
 >6.00 - 30mm = ±0.2mm [-0.236 - 1.181 = ±0.008]  
 >30.00 - 120mm = ±0.3mm [-1.181 - 4.725 = ±0.012]

MATERIAL: SEE NOTES  
 ENGR.1: R.KARTHIK  
 ENGR.2: M.ZHANG  
 DATE: 16-Feb-21

TITLE: BNC STR BHD JACK FRONT MOUNT FOR 1.37 MM CABLE  
 SHEET NO. 2 OF 2  
 SCALE: 6.0:1.0

Amphenol RF  
 DRAWING NO. 31-6995  
 ITEM NO. 31-6995  
 PART NO. 31-6995  
 REV: A



THIRD ANGLE PROJ. REFERENCE EAR# 10452

ANGLES = ±1°