

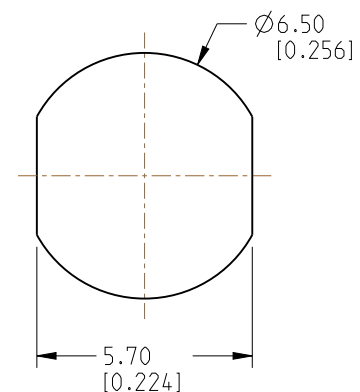
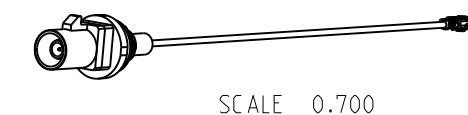
NOTES:

- MATERIALS AND FINISHES:
 FAKRA STR BHD PLUG FRONT MOUNT IP 67:
 BODY - ZINC ALLOY, NICKEL PLATING
 CONTACT - BeCu, GOLD PLATING

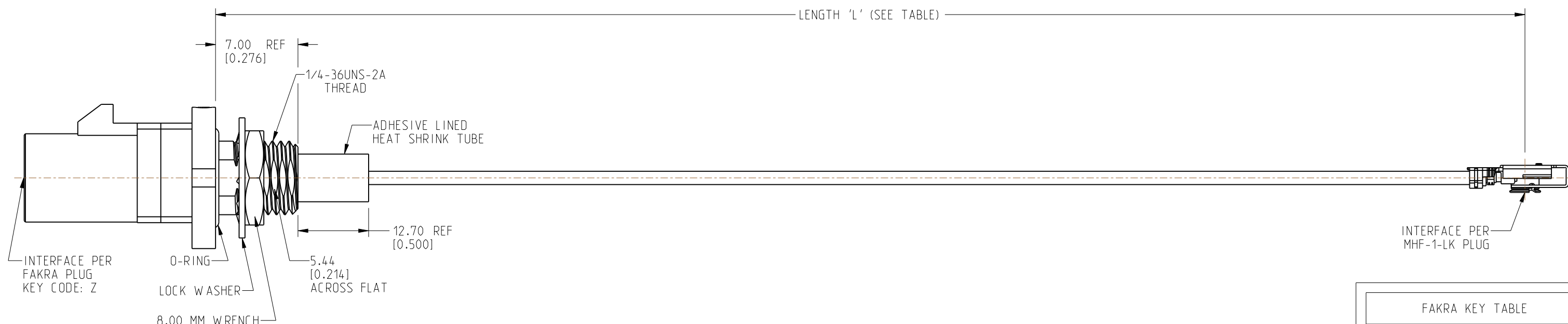
 MHF-1-LK RA PLUG - PHOSPHOR BRONZE, GOLD PLATING

 CABLE - 1.37 MM CABLE - 30 AWG SILVER PLATED COPPER WIRE
- ELECTRICAL:
 A. IMPEDANCE: 50 OHM
- PACKAGING:
 A. QUANTITY: SINGLE PACK
 B. MARKING: PACKAGING TO BE MARKED
 "AMPHENOL RF, 95-820-247-XXX AND DATE CODE"

REVISIONS				
REV	DESCRIPTION	DATE	ECN	BY
A	RELEASE TO MFG.	13-MAY-25	17429	TR



RECOMMENDED MOUNTING HOLE DIMENSIONS



LENGTH TABLE	
PART NUMBER (METRIC)	LENGTH 'L' AND TOLERANCE IN MM (INCHES)
95-820-247-050	50.00 ± 3.81 [1.969 ± 0.150]
95-820-247-100	100.00 ± 3.81 [3.937 ± 0.150]
95-820-247-150	150.00 ± 3.81 [5.906 ± 0.150]
95-820-247-200	200.00 ± 5.08 [7.874 ± 0.200]
95-820-247-250	250.00 ± 5.08 [9.843 ± 0.200]
95-820-247-300	300.00 ± 5.08 [11.811 ± 0.200]
95-820-247-350	350.00 ± 5.08 [13.780 ± 0.200]
95-820-247-400	400.00 ± 5.08 [15.748 ± 0.200]

FAKRA KEY TABLE		
CODING	COLOR	RAL NO.
A	JET BLACK	9005
B	CREAM	9001
C	SIGNAL BLUE	5005
D	CLARET VIOLET	4004
E	LEAF GREEN	6002
F	NUT BROWN	8011
G	BLUE GREY	7031
H	HEATHER VIOLET	4003
I	BEIGE	1001
K	CURRY	1027
L	CARMINE RED	3002
M	PASTEL ORANGE	3003
N	PASTEL GREEN	6019
Z	WATER BLUE	5021

DESIGN REQUIREMENTS:

- | | |
|---|--|
| <input checked="" type="checkbox"/> FREQUENCY: DC - 6 GHz | <input checked="" type="checkbox"/> CONTINUITY |
| <input type="checkbox"/> VSWR: _____ MAX. | <input checked="" type="checkbox"/> HI-POT: 200 VRMS |
| <input type="checkbox"/> INS. LOSS: _____ dB MAX. | <input type="checkbox"/> OTHER: |

CUSTOMER OUTLINE DRAWING
 ALL OTHER SHEETS ARE FOR INTERNAL USE ONLY

NOTICE: These drawings, specifications, or other data (1) are, and remain the property of Amphenol corp. (2) must be returned upon request; and (3) are confidential and not to be disclosed to any person other than those to whom they are given by Amphenol Corp. The furnishing of these drawings, specifications, or other data by Amphenol Corp., or to any other person to anyone for any purpose is not to be regarded by implication or otherwise in any manner licensing, granting rights to permitting such holder or any other person to manufacture, use or sell any product, process or design, patented or otherwise, that may in any way be related to or disclosed by said drawings, specifications, or other data.

UNLESS OTHERWISE SPECIFIED DIMENSIONS ARE METRIC (INCHES) AND TOLERANCES ARE:
 <0.5mm = ±0.05mm [$<0.020 = \pm 0.002$]
 0.5 - 6mm = ±0.1mm [$>0.020 - 0.236 = \pm 0.004$]
 >6.00 - 30mm = ±0.2mm [$>0.236 - 1.181 = \pm 0.008$]
 >30.00 - 120mm = ±0.3mm [$>1.181 - 4.725 = \pm 0.012$]

MATERIAL: SEE NOTES

ENGR.1: SIBI R ENGR.2: DATE: 09-APR-24

TITLE: FAKRA STR BHD PLUG FRONT MOUNTIP 67 TO MHF-1-LK RA PLUG USING 1.37 MM CABLE

SHEET NO. 2 OF 2 SCALE: 3.0:1.0

Amphenol RF

SIZE: B	DRAWING NO. 95-820-247-XXX	REV: A
	ITEM NO. 95-820-247-XXX	
	PART NO. 95-820-247-XXX	

THIRD ANGLE PROJ. REFERENCE EAR# 12372

ANGLES = ±1°

ENGR.1: SIBI R ENGR.2: DATE: 09-APR-24

SHEET NO. 2 OF 2 SCALE: 3.0:1.0

Amphenol RF