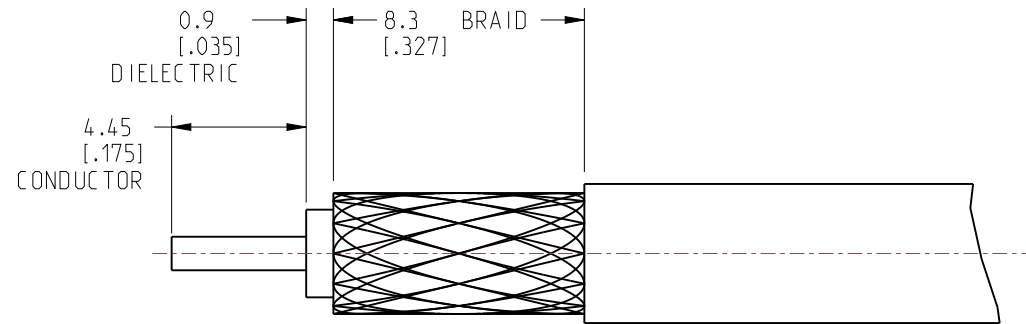


NOTES:

- MATERIALS AND FINISHES:**
 BODY & SHELL - STAINLESS STEEL, PASSIVATED
 RETAINING RING - STAINLESS STEEL, NATURAL
 CONTACT - BRASS, GOLD PLATING
 FERRULE - COPPER, NICKEL PLATING
 INSULATOR & INSULATOR DISC - PEEK, NATURAL
- ELECTRICAL:**
 A. IMPEDANCE: 50 OHM
 B. FREQUENCY RANGE: DC-12.4 GHz
 C. VSWR (RETURN LOSS): 1.15 (-23.127 dB) MAX. @ DC-6GHz
 D. DIELECTRIC WITHSTANDING VOLTAGE: 500 VRMS, MIN.
- MECHANICAL:**
 A. DURABILITY: 500 CYCLES MIN.
 B. TEMPERATURE RANGE: -65°C TO +165°C
- PACKAGING:**
 A. QUANTITY: SINGLE PACK
 B. MARKING: PACKAGING TO BE MARKED
 "AMPHENOL RF, 901-30001, AND DATE CODE"

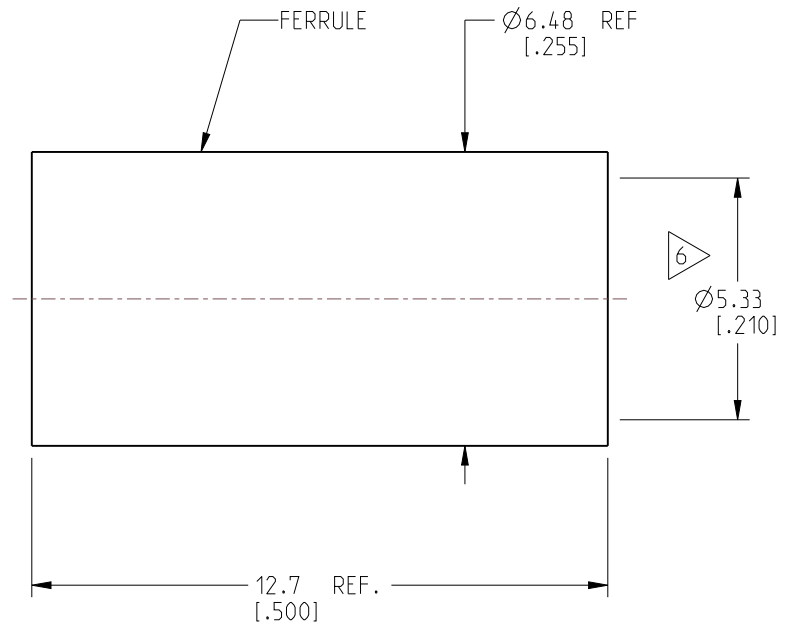
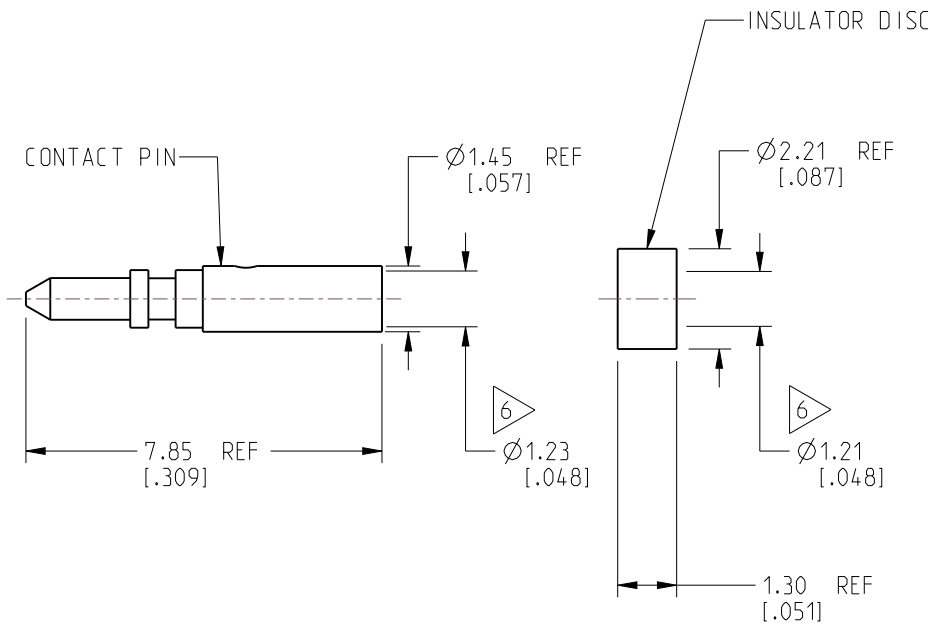
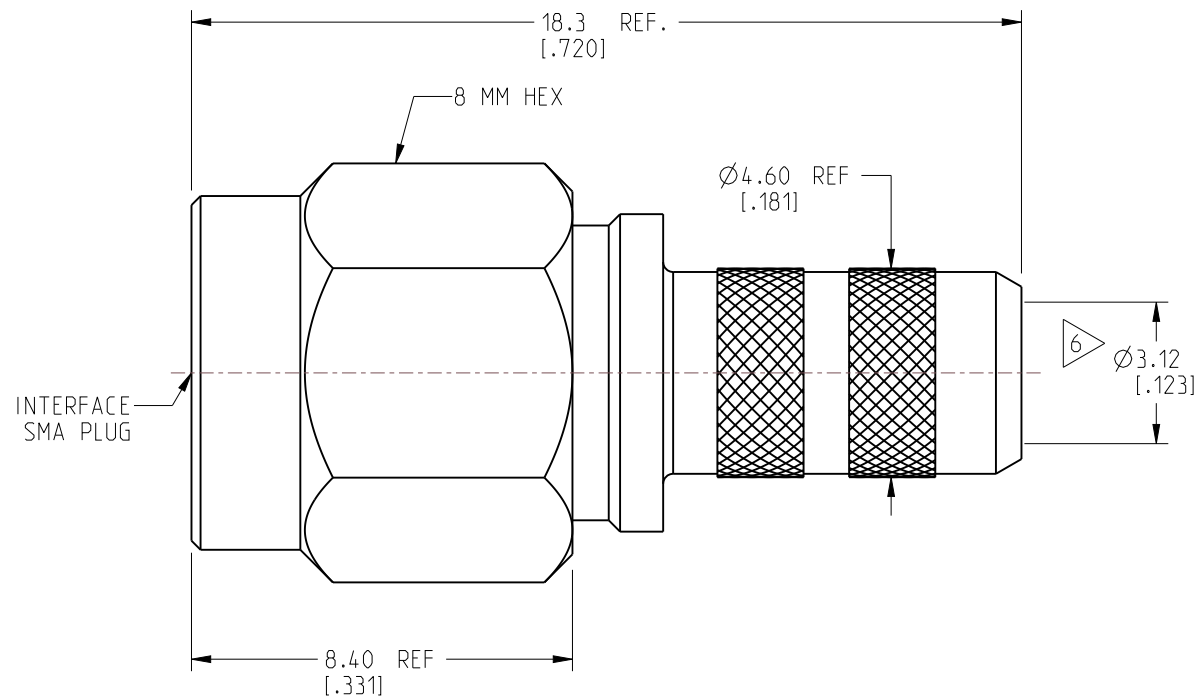
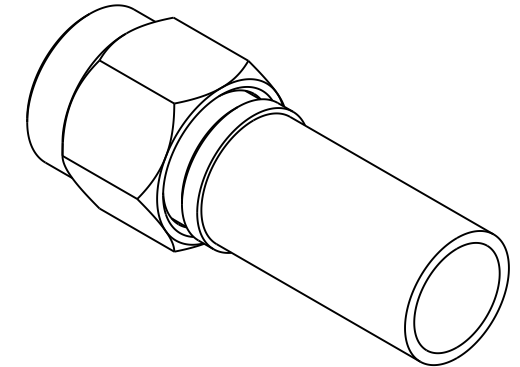
- CABLE ASSEMBLY INSTRUCTIONS**
 A. TRIM CABLE AS SHOWN, TAKE CARE TO NOT DAMAGE THE FOIL
 B. SLIDE INSULATOR DISC, FERRULE ONTO CABLE.
 C. SOLDER CONTACT TO CABLE CENTER CONDUCTOR
 D. INSERT CABLE AND CONTACT CENTER CONDUCTOR UNTIL THEY BOTTOM WITH FOIL ENTERING CONNECTOR AND BRAID OVER KNURL
 E. CRIMP FERRULE OVER THE BRAID WITH .213" HEX.

6 CABLE ENTRY DIMENSIONS



RECOMMENDED CABLE STRIPPING DIM'S

REVISIONS				
REV	DESCRIPTION	DATE	ECN	BY
A	RELEASE TO MFG.	08-Sep-25	17579	SH



CUSTOMER OUTLINE DRAWING

ALL OTHER SHEETS ARE FOR INTERNAL USE ONLY

NOTICE: These drawings, specifications, or other data (1) are, and remain the property of Amphenol corp. (2) must be returned upon request; and (3) are confidential and not to be disclosed to any person other than those to whom they are given by Amphenol Corp. The furnishing of these drawings, specifications, or other data by Amphenol Corp., or to any other person to anyone for any purpose is not to be regarded by implication or otherwise in any manner licensing, granting rights to permitting such holder or any other person to manufacture, use or sell any product, process or design, patented or otherwise, that may in any way be related to or disclosed by said drawings, specifications, or other data.

UNLESS OTHERWISE SPECIFIED DIMENSIONS ARE METRIC (INCHES) AND TOLERANCES ARE:
 <0.5mm = ±0.05mm [-0.020 = ±0.002]
 0.5 - 6mm = ±0.1mm [-0.020 - 0.236 = ±0.004]
 >6.00 - 30mm = ±0.2mm [-0.236 - 1.181 = ±0.008]
 >30.00 - 120mm = ±0.3mm [-1.181 - 4.725 = ±0.012]

MATERIAL: SEE NOTES
 ENGR.1: B.HUTCHINGS
 ENGR.2: M.ZHANG
 DATE: 25-Aug-25

TITLE: PFAS FREE SMA CRIMP PLUG FOR DACAR 037
 SHEET NO. 2 OF 2
 SCALE: 3.0:1.0

Amphenol RF
 DRAWING NO. 901-30001
 ITEM NO. 901-30001
 PART NO. 901-30001
 REV: A

THIRD ANGLE PROJ.

REFERENCE: 132113, 901-10604
 EAR#: 12521

ANGLES = ±1°