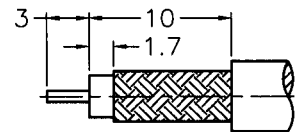


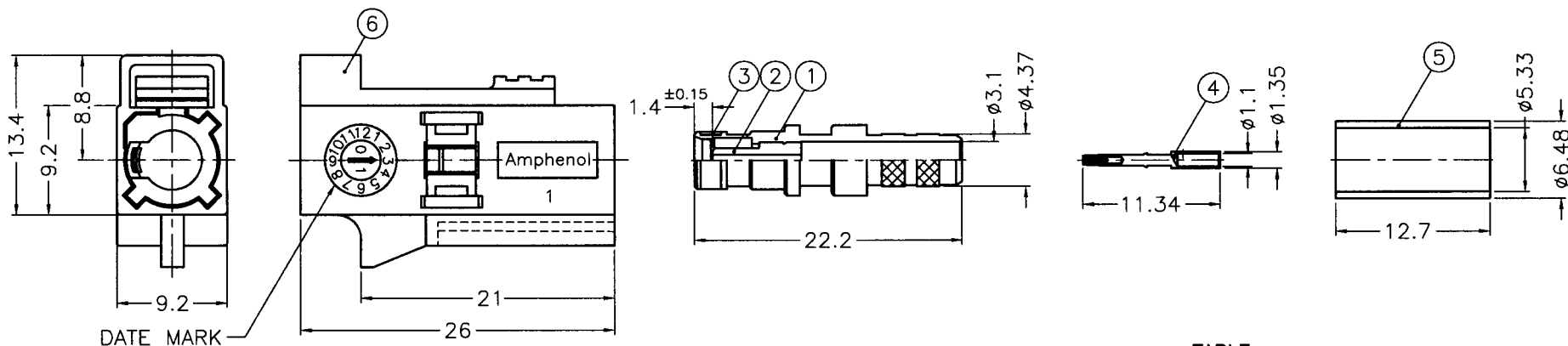
ISS	ZONE	DESCRIPTION\PER REQUEST\DATE
A1	F-6	ADDED KEY CODING\N/A\12-27-01'
B	B-8	NO.6 WAS CHANGED\RD-DM91042901L\04-29-02'
C	B-8	NO.6 WAS CHANGED\RD-DM91060601L\06-06-02'
D	B-8	NO.6 WAS CHANGED\RD-DM91091701L\11-12-02'
D1	B-6	CANCELLED L AND M KEY CODING\N/A\02-13-03'

CONFIGURATION CONTROL:
NO CHANGES PERMITTED TO DRAWING WITHOUT PPAQ QUALIFIED CUSTOMER APPROVAL



RECOMMENDED CABLE STRIPPING DIM'S

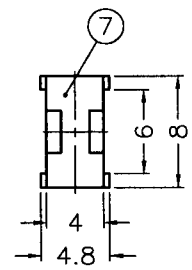
1. CRIMPED FERRULE HEX CRIMP SIZE .213"
2. CRIMPED CONTACT PIN AFM8 ADJUST TO 6 OR 7 POSITIONER K1470



TABLE

KEY CODING	PART NO.	DRAWING NO.	ITEM NO.	LOCK COVER
A	FA1-NASJ-C04-6	FK6121AW-010-NT30G-50	FK6121ACA57NC5F	FKLC30301D
B	FA1-NBSJ-C04-6	FK6121BW-010-NT30G-50	FK6121ACB57NC5F	FKLC30302D
C	FA1-NC SJ-C04-6	FK6121CW-010-NT30G-50	FK6121ACC57NC5F	FKLC30303D
D	FA1-NDSJ-C04-6	FK6121DW-010-NT30G-50	FK6121ACD57NC5F	FKLC30304D
E	FA1-NESJ-C04-6	FK6121EW-010-NT30G-50	FK6121ACE57NC5F	FKLC30305D
F	FA1-NFSJ-C04-6	FK6121FW-010-NT30G-50	FK6121ACF57NC5F	FKLC30306D
G	FA1-NGSJ-C04-6	FK6121GW-010-NT30G-50	FK6121ACG57NC5F	FKLC30307D
H	FA1-NHSJ-C04-6	FK6121HW-010-NT30G-50	FK6121ACH57NC5F	FKLC30308D
I	FA1-NISJ-C04-6	FK6121IW-010-NT30G-50	FK6121ACI57NC5F	FKLC30309D
K	FA1-NKSJ-C04-6	FK6121KW-010-NT30G-50	FK6121ACK57NC5F	FKLC30310D
Z	FA1-NZSJ-C04-6	FK6121ZW-010-NT30G-50	FK6121ACZ57NC5F	FKLC30311D

- NOTES: FINISH (PLATING THICKNESS IN MICRO-INCHES)
1. BRASS PER QQ-B-626, ALLOY 360, 1/2 H ; JIS H3250 C 3604BD OR EQUIVALENT
 2. NICKEL PL. 60 MIN. THICK OVER OPTIONAL COPPER STRIKE
 3. BERYLLIUM COPPER PER QQ-C-530, ALLOY 173, 1/2 H ; FUJII FX301 OR EQUIVALENT
 4. GOLD PL. 30 MIN. THICK OVER NICKEL PL. 100 MIN. THICK OVER OPTIONAL COPPER STRIKE
 5. TEFLON MIL-P-19468 OR EQUIVALENT
 6. BERYLLIUM COPPER JIS C1720R-1/4H OR EQUIVALENT
 7. COPPER PER ASTM B-75 ALLOY C12200 OR EQUIVALENT
 8. NYLOY66(WITH 33% GLASS FIBER) PER NYTEX COMPOSITES CO., LTD. GRADE MG-0033N-V0 OR EQUIVALENT
 9. PBT(WITH 15% GLASS FIBER) PER CHANG CHUN GRADE 4115202 OR EQUIVALENT



NO.	DESCRIPTION	MATERIAL	FINISH	Q'TY	DRAWING NO.	SCALE	2/1	ISSUE	D1	FILE NO.:	PART NO.	APPROVED	DATE	CHECKED	DATE	DRAWN	DATE	TITLE	DRAWING NO.	ITEM NO.
7	LOCK COVER		NATURAL	1	FKLC00001A					FA1-NXSJ-C04-6	MARK CHU	05-02-03'	COASE WANG	05-02-03'	LILY CHIU	05-02-03'	FAKRA 180° CLIP SMB CRIMP JACK (FOR RG-58A/U, 58C/U CABLE)	FK6121XX-010-NT30G-50	FK6121ACX57NC5F	
6	LOCK COVER		NATURAL	1	SEE TABLE															
5	FERRULE		NATURAL	1	FKFR00201A															
4	CONTACT PIN		NATURAL	1	FKCP00401A															
3	RETAINER RING		NATURAL	1	FKRR00101A															
2	INSULATOR		NATURAL	1	FKNS00501A															
1	BODY		NATURAL	1	FKBD00501A															

DIMENSIONS ARE IN MILLIMETERS
UNLESS OTHERWISE SPECIFIED TOLERANCES
0.5-6 = ±0.2
6-30 = ±0.4
30-120 = ±0.6
120-315 = ±1
315-1000 = ±1.6
1000-2000 = ±2.4

Amphenol
Danbury, CT, USA - Tainan, Taiwan - Shenzhen, China

Danbury, CT, USA - Tainan, Taiwan - Shenzhen, China