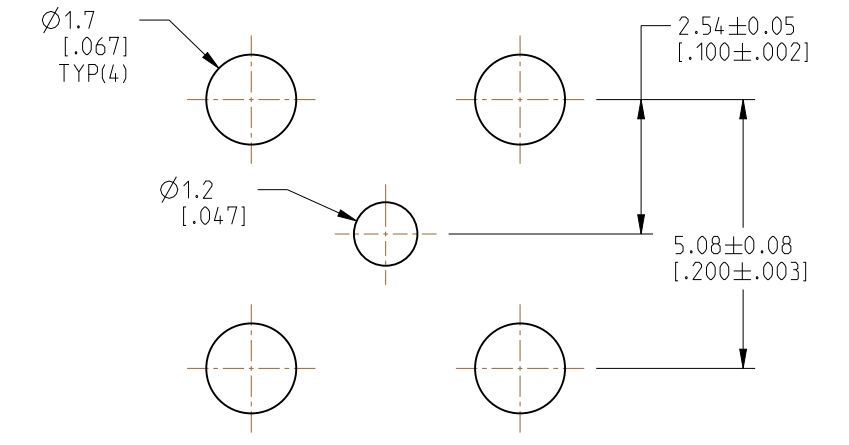
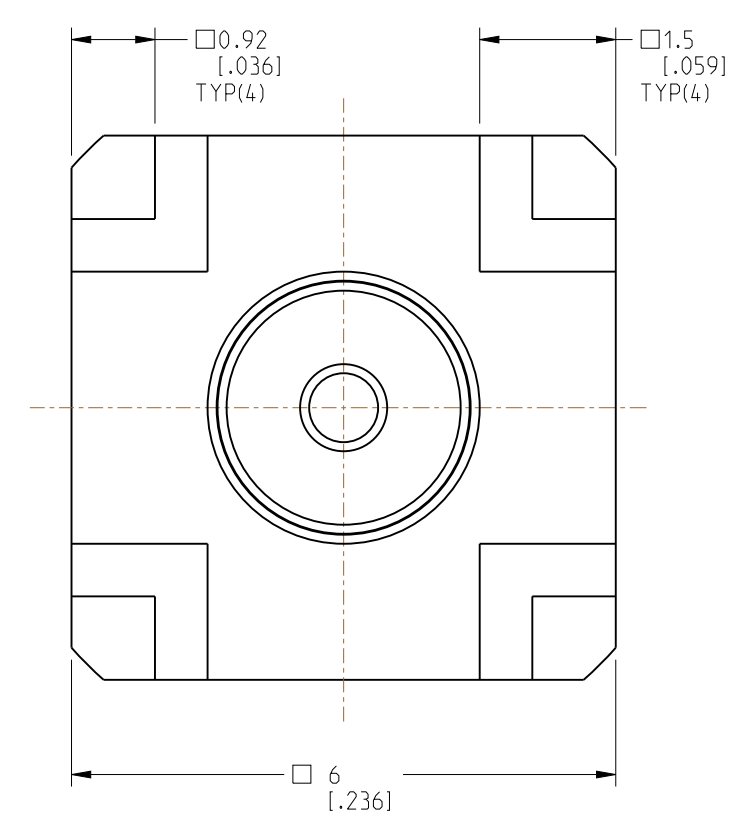
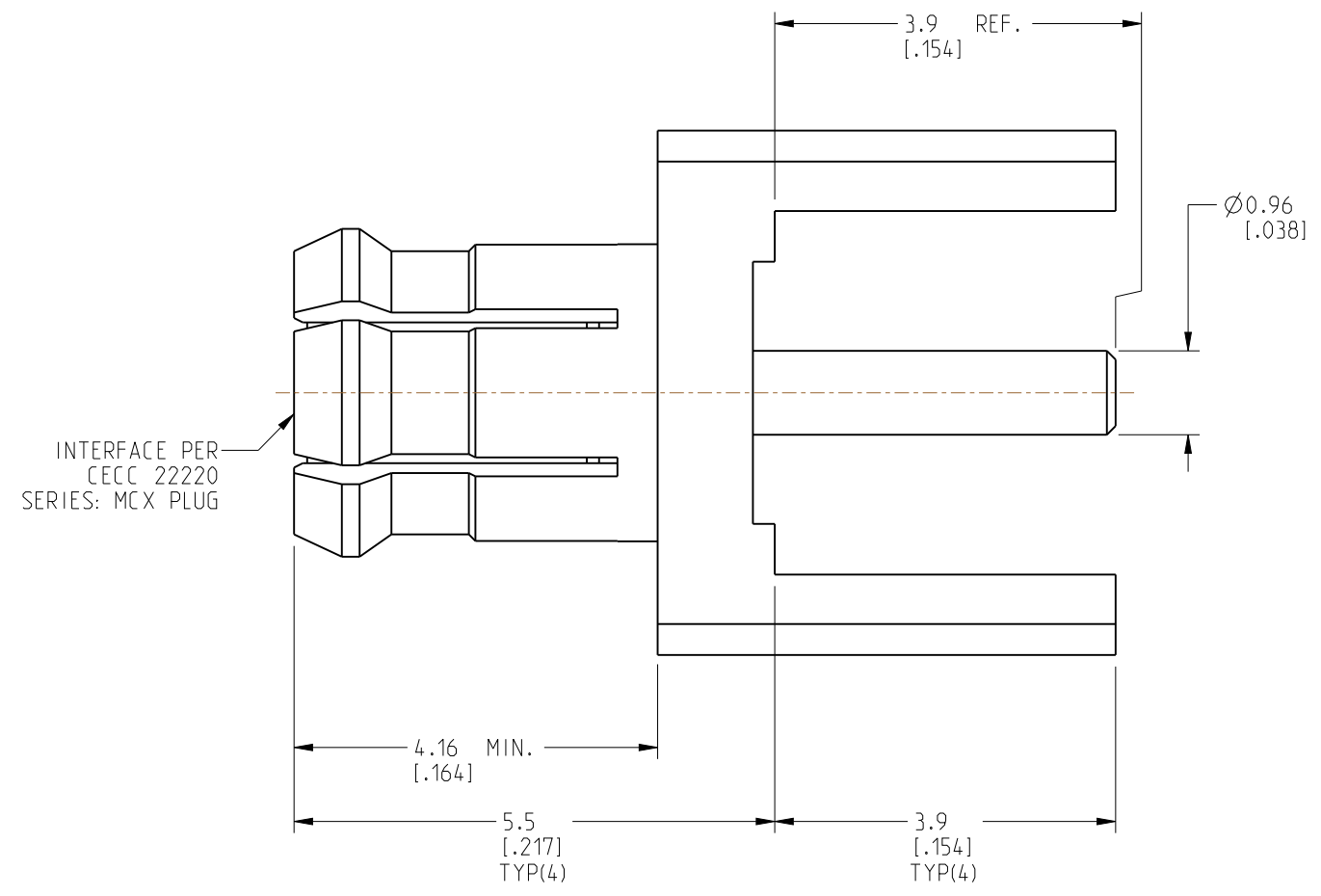
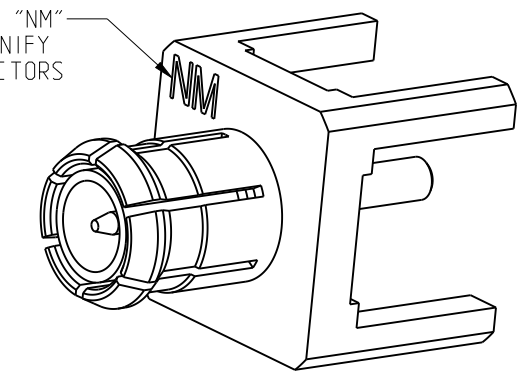


NOTES:

1. MATERIALS AND FINISHES:
 BODY & CONTACT - BERYLLIUM COPPER, GOLD PLATING
 INSULATOR - PTFE, NATURAL
2. ELECTRICAL:
 A. IMPEDANCE: 50 OHM
 B. FREQUENCY RANGE: DC-6 GHz
 C. VSWR (RETURN LOSS): 1.10 MAX.
 D. DIELECTRIC WITHSTANDING VOLTAGE: 1000 VRMS, MIN.
3. MECHANICAL:
 A. DURABILITY: 500 CYCLES MIN.
 B. TEMPERATURE RANGE: -65°C TO +165°C
4. PACKAGING:
 A. QUANTITY: SINGLE PACK
 B. MARKING: PACKAGING TO BE MARKED
 "AMPHENOL RF, 919-NM448P-51P, AND DATE CODE"
 AND "NON-MAGNETIC CONNECTORS"

REVISIONS				
REV	DESCRIPTION	DATE	ECN	BY
A	RELEASE TO MFG.	23-Mar-26	17837	LQ

THIS SURFACE MARKED "NM"
 TO SIGNIFY
 NON-MAGNETIC CONNECTORS



**RECOMMENDED
 PCB MOUNTING HOLES**

CUSTOMER OUTLINE DRAWING
 ALL OTHER SHEETS ARE FOR INTERNAL USE ONLY

NOTICE: These drawings, specifications, or other data (1) are, and remain the property of Amphenol corp. (2) must be returned upon request; and (3) are confidential and not to be disclosed to any person other than those to whom they are given by Amphenol Corp. The furnishing of these drawings, specifications, or other data by Amphenol Corp., or to any other person to anyone for any purpose is not to be regarded by implication or otherwise in any manner licensing, granting rights to permitting such holder or any other person to manufacture, use or sell any product, process or design, patented or otherwise, that may in any way be related to or disclosed by said drawings, specifications, or other data.		UNLESS OTHERWISE SPECIFIED DIMENSIONS ARE METRIC (INCHES) AND TOLERANCES ARE: <0.5mm = ±0.05mm [$<0.020 = \pm 0.002$] 0.5 - 6mm = ±0.1mm [$>0.020 - 0.236 = \pm 0.004$] >6.00 - 30mm = ±0.2mm [$>0.236 - 1.181 = \pm 0.008$] >30.00 - 120mm = ±0.3mm [$>1.181 - 4.725 = \pm 0.012$]		MATERIAL SEE NOTES		TITLE MCX PCB RECEPTACLE PLUG 50 OHM (NON-MAGNETIC)		Amphenol RF	
THIRD ANGLE PROJ.		REFERENCE 252153-10		EAR# 13126		ANGLES = ±1°		ENGR.1 S. HOFFLER	
ENGR.2 M. ZHANG		DATE 19-Mar-26		SHEET NO. 2 OF 2		SCALE: 12.0:1.0		DRAWING NO. 919-NM448P-51P ITEM NO. 919-NM448P-51P PART NO. 919-NM448P-51P	
B		A		A		A		A	