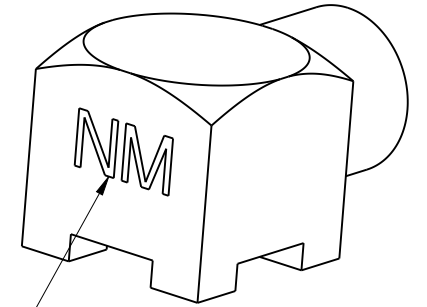
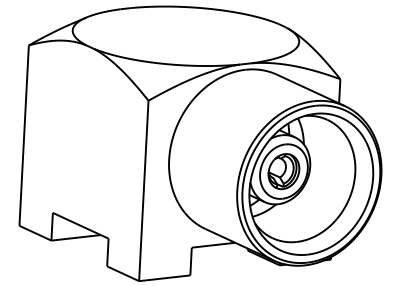


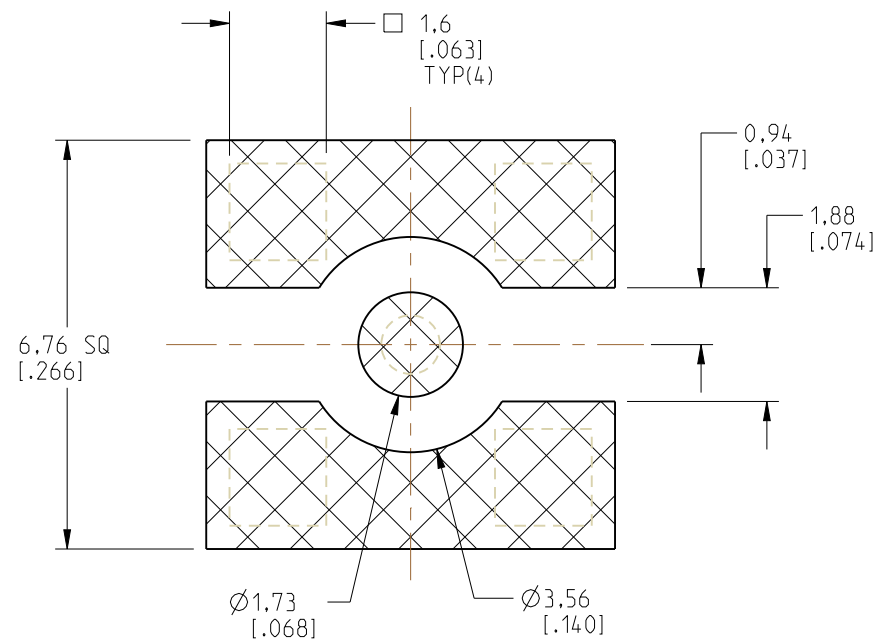
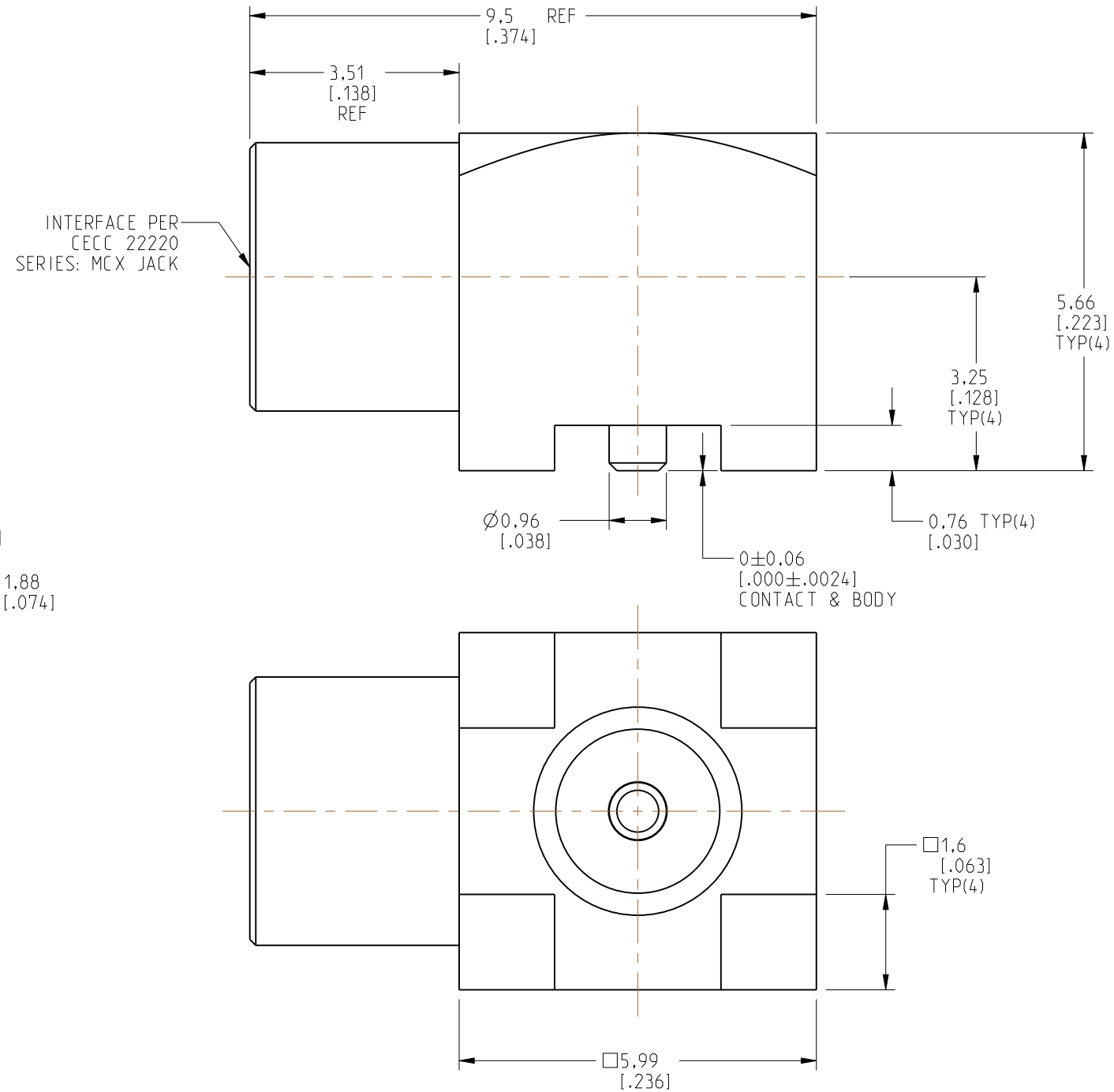
NOTES:

1. MATERIALS AND FINISHES:
 BODY - BERYLLIUM COPPER, WHITE BRONZE PLATING
 BODY-CUBE - BERYLLIUM COPPER, GOLD PLATING
 CONTACT - BERYLLIUM COPPER, GOLD PLATING
 INSULATOR - PTFE
2. ELECTRICAL:
 A. IMPEDANCE: 50 OHM
 B. FREQUENCY RANGE: DC - 6 GHz
 C. DIELECTRIC WITHSTANDING VOLTAGE: 1000 VRMS, MIN.
3. MECHANICAL:
 A. DURABILITY: 500 CYCLES MIN.
 B. TEMPERATURE RANGE: -65° C TO +165° C
4. PACKAGING:
 A. QUANTITY: SINGLE PACK
 B. MARKING: BAG TO BE MARKED
 "AMPHENOLRF, 919-NM305J-51P, AND DATE CODE"
 AND "NON-MAGNETIC CONNECTORS"

REVISIONS				
REV	DESCRIPTION	DATE	ECN	BY
A	RELEASE TO MFG.	20-Mar-26	17837	LQ



THIS SURFACE MARKED "NM"
TO SIGNIFY
NON-MAGNETIC CONNECTORS



CUSTOMER OUTLINE DRAWING
 ALL OTHER SHEETS ARE FOR INTERNAL USE ONLY

NOTICE: These drawings, specifications, or other data (1) are, and remain the property of Amphenol corp. (2) must be returned upon request; and (3) are confidential and not to be disclosed to any person other than those to whom they are given by Amphenol Corp. The furnishing of these drawings, specifications, or other data by Amphenol Corp., or to any other person to anyone for any purpose is not to be regarded by implication or otherwise in any manner licensing, granting rights to permitting such holder or any other person to manufacture, use or sell any product, process or design, patented or otherwise, that may in any way be related to or disclosed by said drawings, specifications, or other data.

UNLESS OTHERWISE SPECIFIED
 DIMENSIONS ARE METRIC (INCHES) AND TOLERANCES ARE:

<0.5mm = ± 0.05 mm	[<0.020 = ± 0.002]
0.5 - 6mm = ± 0.1 mm	[0.020 - 0.236 = ± 0.004]
>6.00 - 30mm = ± 0.2 mm	[>0.236 - 1.181 = ± 0.008]
>30.00 - 120mm = ± 0.3 mm	[>1.181 - 4.725 = ± 0.012]

ANGLES = $\pm 1^\circ$

MATERIAL
 SEE NOTES

ENGR.1
 S. HOFFLER

ENGR.2
 M. ZHANG

DATE
 19-Mar-26

TITLE
 MCX 50 OHM JACK
 PCB RECEPTACLE
 NON-MAGNETIC

SHEET NO. 2 OF 2

SCALE: 10.0:1.0

Amphenol RF

SIZE	DRAWING NO. 919-NM305J-51P	REV
	ITEM NO. 919-NM305J-51P	A
	PART NO. 919-NM305J-51P	

THIRD ANGLE PROJ.

REFERENCE
 919-305J-51P

EAR#
 13126