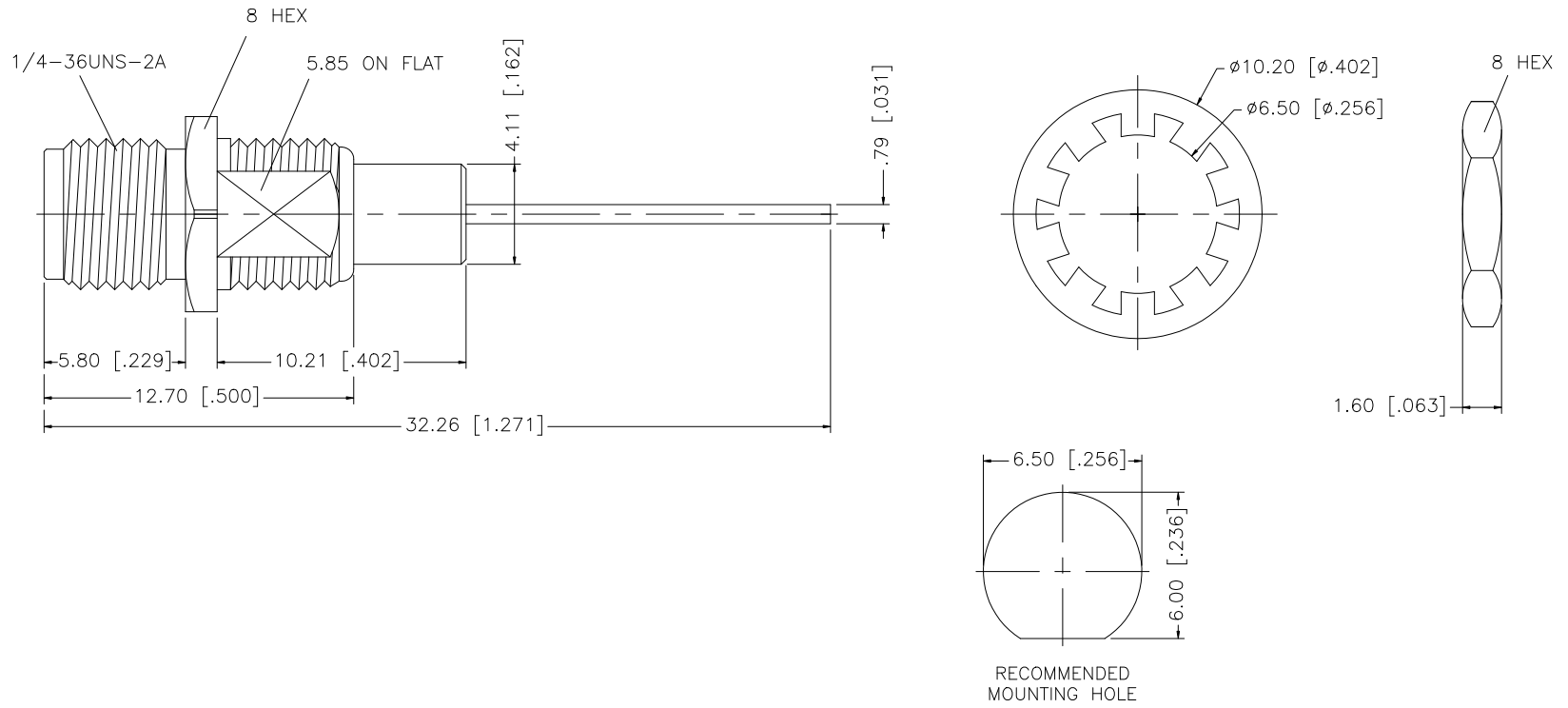


REV.	DATE	ECR NO.	DESCRIPTION
NC	12/07/08	-	INITIAL RELEASE



NOTES:
1. MAX. PANEL THICKNESS = 2.5mm

DESCRIPTION	MATERIAL	FINISH	QTY	DO NOT SCALE DRAWING	CAD FILE	DWG. NO.	REV.	SIZE	SCALE	
8				<small>UNLESS OTHERWISE SPECIFIED DIMENSIONS ARE IN MILLIMETERS. DIMENSIONS IN [] ARE IN INCHES AND FOR CUSTOMER REFERENCE ONLY.</small> <small>UNLESS OTHERWISE SPECIFIED TOLERANCES FOR MILLIMETERS ARE:</small> 0.5 - 8mm ± 0.20mm 8 - 30mm ± 0.40mm 30 - 120mm ± 0.50mm <small>UNLESS OTHERWISE SPECIFIED TOLERANCES FOR INCHES ARE:</small> .020 - .315 = ± 0.007" .315 - 1.180 = ± 0.015" 1.180 - 4.724 = ± 0.020"	C:/132/132137-10.DWG	132137-10.DWG	NC	A	NA	
7										
6										
5	HEX NUT	BRASS	GOLD		1					
4	LOCK WASHER	BRASS	GOLD		1					
3	CONTACT PIN	BER. COPPER	GOLD	1						
2	INSULATOR	PTFE	NATURAL	1						
1	BODY	BRASS	GOLD	1						
					APPROVALS	DATE	<h1 style="text-align: center;">Amphenol Connex</h1> <p style="text-align: center;">PART DESCRIPTION</p> <h2 style="text-align: center;">SMA BULKHEAD RECEPTACLE EXTENDED CONTACT</h2> <p style="text-align: center;">PART NO. 132137-10</p>			
					DRAWN	GRS				12/07/08
					CHECKED					
					ISSUED					
					SHEET	1 OF 1				