

NOTES:

1. MATERIALS AND FINISHES:

- BODY - ZINC ALLOY, MATTE TIN PLATED (.000100" MIN.)
- SPRING CONTACT - BERYLLIUM COPPER, MATTE TIN PLATED (.000100" MIN.)
- CONTACT - PHOSPHOR BRONZE, SELECTIVE GOLD PLATED (.000030" MIN.)
- FERRULE - BRASS, NICKEL PLATED (.000100" MIN.)
- INSULATOR - PTFE, COLOR: NATURAL

CONTACT SUPPLIED SEPARATELY AS P/N:

- 1. FKCP03301A (5,000 PCS. REEL), CRIMP AREA: NICKEL PLATED
- 2. 923-10733 (5,000 PCS. REEL), CRIMP AREA: TIN PLATED
- C01 FERRULE MAY BE PURCHASED SEPARATELY AS P/N: 923-10080 (100 PCS. TRAY)
- CABLE DEFINITIONS PER AMPHENOL REPORT DE825

2. ELECTRICAL:

- A. IMPEDANCE = 50 OHM, NOMINAL
- B. FREQUENCY RANGE = DC - 6 GHz, (OPTIMIZED FOR DC-4 GHz)
- C. VSWR = 1.4 (-15.6 dB), MAX. (DC-2 GHz)
- (MATED PAIR) 1.5 (-13.9 dB), MAX. (2-3 GHz)
- D. D.W.V. = 800 VRMS, MIN.

3. MECHANICAL:

- A. DURABILITY = 100 CYCLES MIN.
- B. TEMPERATURE RANGE = -40° C TO +85° C
- C. MECHANICAL PULL = 110 N MIN.

4. CONNECTOR ASSEMBLY:

- A. SEE 349-50767 FOR CONNECTOR ASSEMBLY INSTRUCTIONS
- B. SEE 349-50748 OR 349-50750 FOR TOOLING
- C. SEE 349-50747 FOR CONTACT CRIMPING CRITERIA

5. PACKAGING:

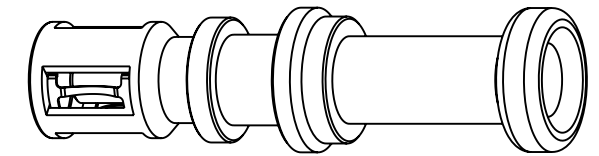
- A. QUANTITY: TRAY PACK
- B. PACKAGING TO BE MARKED: AMPHENOL RF
903-847P-51S
DATE CODE

6. ALL DIMENSIONS MECHANICAL & ELECTRICAL DESIGN COMPLY WITH DIN 72594-1 AND USCAR-18 SPEC.

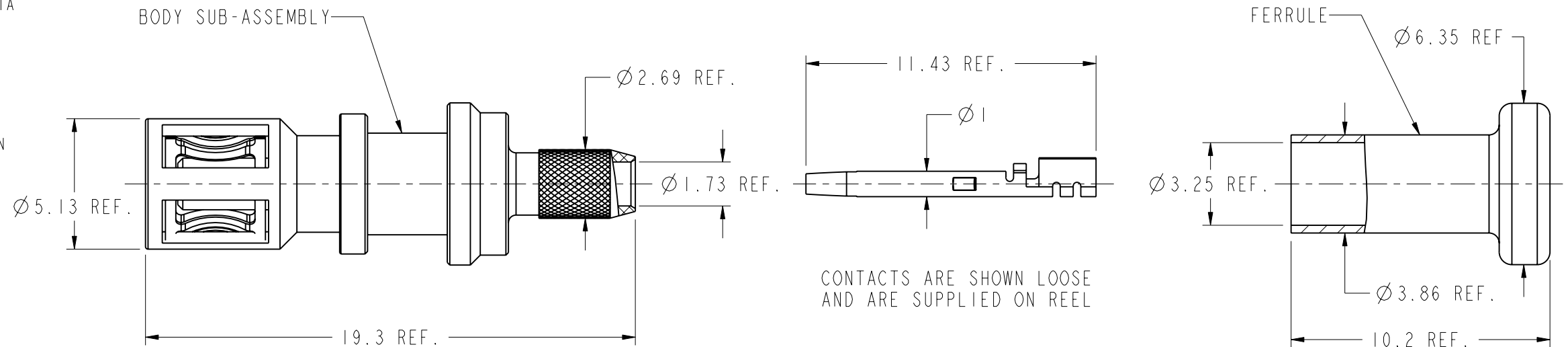
THIRD ANGLE PROJ.

REVISIONS

REV	DESCRIPTION	DATE	ECO	APPR
B	ADDED COD SHEET \RD-DMI3012201K\	22-Jan-13	49410	JY
C	ADD Ø6.35 REF	18-Aug-16	01621	EW
D	ADDED TIN PLATED CONTACT SELECTION IN NOTE 1	15-Mar-18	06181	HL



SCALE 3.000



CONFIGURATION CONTROL:
NO CHANGES PERMITTED TO DRAWING WITHOUT
PPAP QUALIFIED CUSTOMER APPROVAL

CUSTOMER OUTLINE DRAWING

ALL OTHER SHEETS ARE FOR INTERNAL USE ONLY

UNLESS OTHERWISE SPECIFIED, DIMENSIONS ARE IN METRIC AND TOLERANCES ARE: <0.5mm ±0.05mm 0.5 - 6mm ±0.1mm 6 - 30mm ±0.2mm 30 - 120mm ±0.3mm ANGLES ±1°	MATERIAL	DRAWN K. LIAO	DATE 22-Jan-13	TITLE SMB (F) TYPE. CABLE GROUP C01 FOR 2X2 JACKS	Amphenol RF Danbury CT USA, Tainan, Taiwan, Shenzhen, China www.amphenolrf.com
	REFERENCE EAR # 7653 AND	ENGINEER J. YANG	DATE 22-Jan-13		
NOTICE - These drawings, specifications, or other data (1) are, and remain the property of Amphenol corp. (2) must be returned upon request; and (3) are confidential and not to be disclosed to any person other than those to whom they are given by Amphenol Corp. the finishing of these drawings, specifications, or other data by Amphenol Corp., or to any other person to anyone for any purpose is not to be regarded by implication or otherwise in any manner licensing, granting rights to permitting such holder or any other person to manufacture, use or sell any product, process or design, patented or otherwise, that may in any way be related to or disclosed by said drawings, specifications, or other data.	CONFIGURATION LEVEL:	APPROVED S. HSIEH	DATE 22-Mar-18	SCALE: 4.0:1.0 SHEET 2 OF 2	ITEM NO. 903-847P-51S
	FINISH	CAD FILE	DWG SIZE B	REV D	PART NO. 903-847P-51S