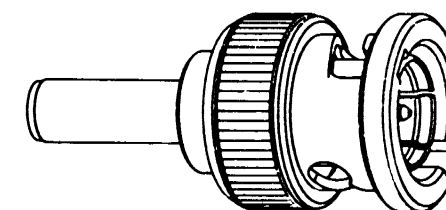


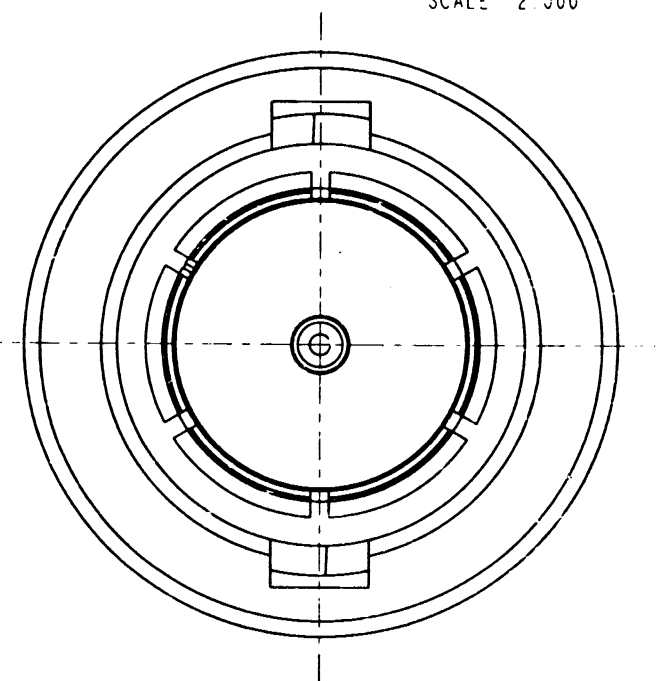
NOTES:

1. MATERIALS OF CONSTRUCTION:
 INSULATOR - PTFE
 SPRING WASHER - BERYLLIUM COPPER, NICKLE PLATE
 CONTACT - BRASS, GOLD PLATE
 ALL OTHER METAL PARTS - BRASS, NICKEL PLATE
2. THIS CONNECTOR MATES WITH ANY 75Ω JACK.
3. THIS CONNECTOR MEETS THE REQUIREMENTS OF LUCENT SPEC. KS 23558 AND L-738427.
4. FOR ASSEMBLY INSTRUCTIONS SEE 999-597.
5. DO NOT SCALE THIS DRAWING.

31-70227-XXXX		REVISIONS			
DRAWING NO.	REV	DESCRIPTION	DATE	ECO	APPR
THIRD ANGLE PROJ.	A	OFFICIAL ENG. RELEASE TO MFG.	5/10/99	42813	CPM <i>SA</i>



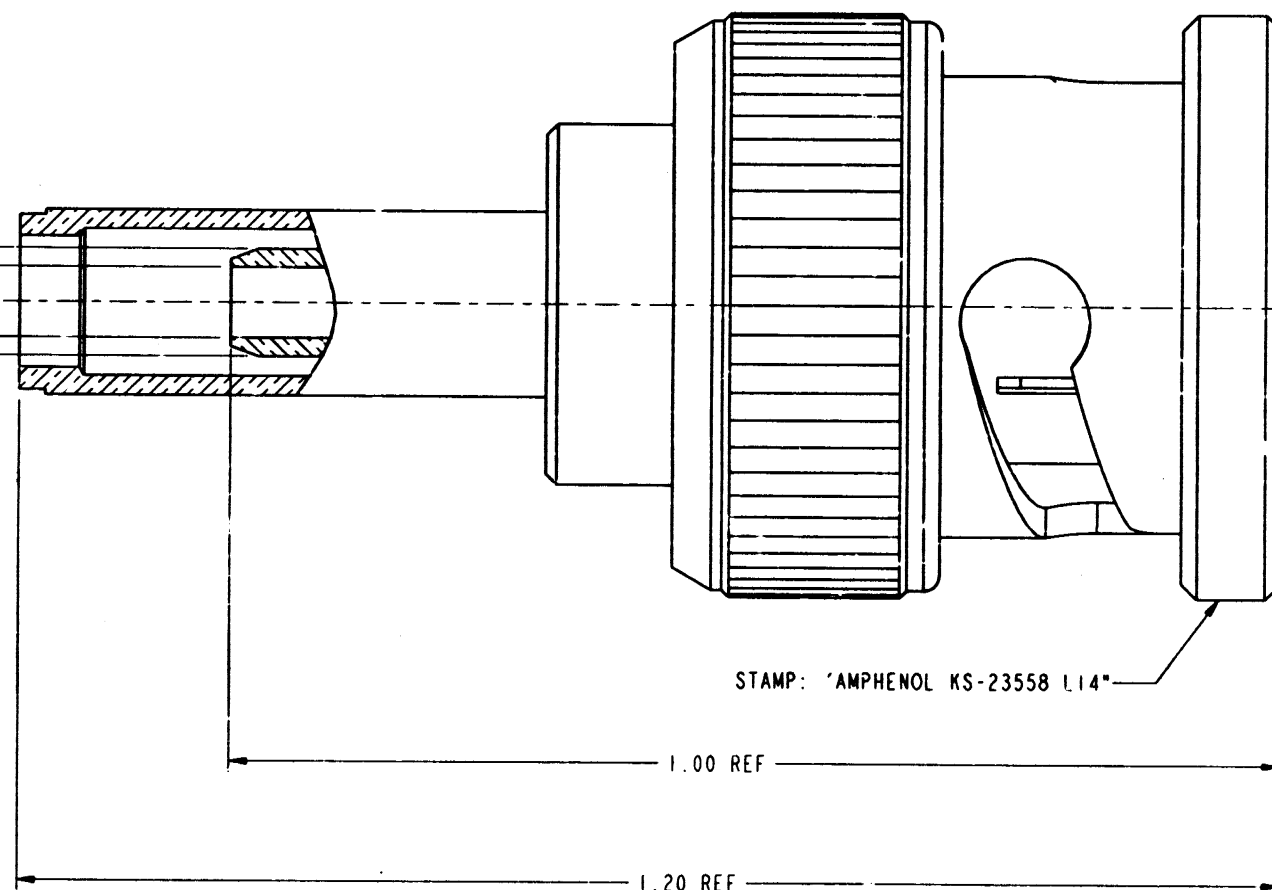
SCALE 2:000



CUSTOMER OUTLINE DRAWING
FOR REFERENCE ONLY

DRAWING NO.	PACKING
31-70227-1001	1 PER BAG
31-70227-1012	12 PER BAG
31-70227-1100	100 PER BAG

Ø .106 OVER
STRAIGHT KNURL
Ø .070
Ø .066



UNLESS OTHERWISE SPECIFIED, DIMENSIONS ARE IN INCHES AND TOLERANCES ARE:
 2 PLACE DECIMAL 3 PLACE DECIMAL ANGLES
 ± .015 (0.381 mm) ± .005 (0.127 mm) ± 1°

NOTICE - These drawings, specifications, or other data (1) are, and remain the property of Amphenol Corp. (2) must be returned upon request; and (3) are confidential and not to be disclosed to any person other than those to whom they are given by Amphenol Corp. The furnishing of these drawings, specifications, or other data by Amphenol Corp., or to any other person to anyone for any purpose is not to be regarded by implication or otherwise in any manner licensing, granting rights or permitting such holder or any other person to manufacture, use or sell any product, process or design, patented or otherwise, that may in any way be related to or disclosed by said drawings, specifications, or other data.

MATERIAL	DRAWN	DATE	TITLE
REFERENCE EAR 967149-2 GEN# ASSYM6_BNC 31-70227-0001	C. McGRATH	22-Jan-99	75 OHM BNC PLUG FOR AT&T KS-19224 L2 CABLE
	ENGINEER	DATE	
	G. ANTONINI	22-Jan-99	
	APPROVED	DATE	
	<i>L. Cook</i>	3/12/99	
	CAD FILE		
	I:\BNC_75\31-70227-XXXX		

Amphenol	SCALE 60:1	SHEET 1 OF 1
Amphenol Corporation Communication and Network Products Division Danbury, CT U.S.A. 06810	CODE ID 74868	DWG SIZE B
	DRAWING NO. 31-70227-XXXX	REV A