

NOTES:

1. MATERIALS AND FINISHES:

- BODY - ZINC ALLOY, MATTE TIN PLATED (.000100" MIN.)
- SPRING CONTACT - BERYLLIUM COPPER, MATTE TIN PLATED (.000100" MIN.)
- CONTACT - PHOSPHOR BRONZE, SELECTIVE GOLD PLATED (.000030" MIN.)
- FERRULE - BRASS, NICKEL PLATED (.000100" MIN.)
- INSULATOR - PTFE, COLOR: WHITE
- CLIP - PBT, COLOR: YELLOW
- HOUSING - PPE+PS, COLOR: SEE TABLE BELOW

C01 CONNECTOR SUB-ASSEMBLY P/N: 903-847P-51S

CONTACT SUPPLIED SEPARATELY AS P/N:

- 1. FKCP03301A (5,000 PCS.REEL), CRIMP AREA: NICKEL PLATED
 - 2. 923-10733 (5,000 PCS.REEL), CRIMP AREA: TIN PLATED
- FERRULE MAY BE PURCHASED SEPARATELY AS P/N: 923-10080 (100 PCS. TRAY)
CABLE DEFINITIONS PER AMPHENOL REPORT DE825

2. ELECTRICAL:

- A. IMPEDANCE = 50 OHM, NOMINAL
- B. FREQUENCY RANGE = DC - 6 GHz, (OPTIMIZED FOR DC-4 GHz)
- C. VSWR = 1.4 (-15.6 dB), MAX.(DC-2 GHz)
- (MATED PAIR) 1.5 (-13.9 dB), MAX.(2-3 GHz)
- D. D.W.V. = 800 VRMS, MIN.

3. MECHANICAL:

- A. DURABILITY = 100 CYCLES MIN.
- B. TEMPERATURE RANGE = -40° C TO +85° C
- C. MECHANICAL PULL = 110 N MIN.

4. CONNECTOR ASSEMBLY:

- A. SEE 349-50767 FOR CONNECTOR ASSEMBLY INSTRUCTIONS
- B. SEE 349-50748 OR 349-50750 FOR TOOLING
- C. SEE 349-50747 FOR CONTACT CRIMPING CRITERIA

5. PACKAGING:

- A. QUANTITY: TRAY PACK
- B. PACKAGING TO BE MARKED: AMPHENOL RF
3FAH-NXSJ-C01W6
DATE CODE

6. ALL DIMENSIONS MECHANICAL & ELECTRICAL DESIGN COMPLY WITH DIN 72594-1 AND USCAR-18 SPEC.

CODING	DRAWING NO.	COLOR	RAL NO.
A	3FAH-NASJ-C01W6	JET BLACK	9005
B	3FAH-NBSJ-C01W6	CREAM	9001
C	3FAH-NCSJ-C01W6	SIGNAL BLUE	5005
D	3FAH-NDSJ-C01W6	CLARET VIOLET	4004
E	3FAH-NESJ-C01W6	LEAF GREEN	6002
F	3FAH-NFSJ-C01W6	NUT BROWN	8011
G	3FAH-NGSJ-C01W6	BLUE GREY	7031
H	3FAH-NHSJ-C01W6	HEATHER VIOLET	4003
I	3FAH-NISJ-C01W6	BEIGE	1001
K	3FAH-NKSJ-C01W6	CURRY	1027
L	3FAH-NLSJ-C01W6	CARMINE RED	3002
M	3FAH-NMSJ-C01W6	PASTEL ORANGE	2003
N	3FAH-NNSJ-C01W6	PASTEL GREEN	6019
Z	3FAH-NZSJ-C01W6	WATER BLUE	5021

UNLESS OTHERWISE SPECIFIED, DIMENSIONS ARE IN METRIC AND TOLERANCES ARE:
 <0.5mm ±0.05mm 0.5 - 6mm ±0.1mm 6 - 30mm ±0.2mm 30 - 120mm ±0.3mm ANGLES ±1°

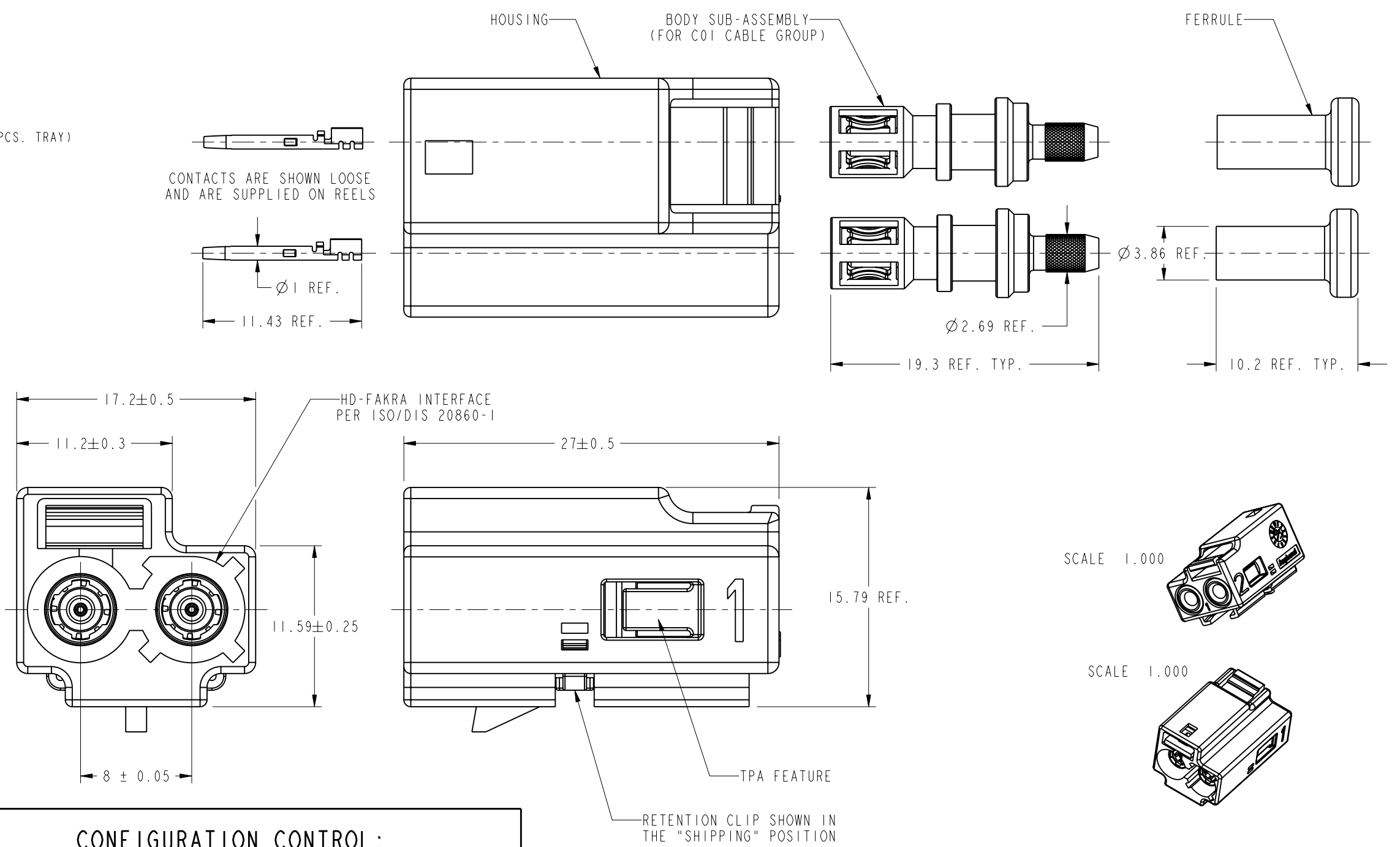
NOTICE - These drawings, specifications, or other data (1) are, and remain the property of Amphenol corp. (2) must be returned upon request; and (3) are confidential and not to be disclosed to any person other than those to whom they are given by Amphenol Corp. the finishing of these drawings, specifications, or other data by Amphenol Corp., or to any other person to anyone for any purpose is not to be regarded by implication or otherwise in any manner licensing, granting rights to permitting such holder or any other person to manufacture, use or sell any product, process or design, patented or otherwise, that may in any way be related to or disclosed by said drawings, specifications, or other data.

MATERIAL	DRAWN A. LIU	DATE 22-Sep-09	TITLE 2-WAY HD-FAKRA JACK, CLOSED-ENTRY (GEN 3.0), 2-C01 PORTS (CONTACT SOLD SEPARATELY)
REFERENCE EAR:7653 AND REF: 2FAHENSXSJ-C01W6	ENGINEER J. YANG	DATE 22-Sep-09	SCALE: 3.0:1.0 SHEET 2 OF 2
CONFIGURATION LEVEL: RELEASE	APPROVED S. HSIEH	DATE 21-Mar-18	DWG SIZE B
FINISH	CAD FILE I:\FAKRA\3FAH-NXSJ-C01W6		REV B

THIRD ANGLE PROJ.

REVISIONS

REV	DESCRIPTION	DATE	ECO	APPR
A	RELEASE TO MFG.	03-Mar-10	47995	SH
B	ADDED TIN PLATED CONTACT SELECTION IN NOTE 1	15-Mar-18	06181	HL



CONFIGURATION CONTROL:
NO CHANGES PERMITTED TO DRAWING WITHOUT PPAP QUALIFIED CUSTOMER APPROVAL

CUSTOMER OUTLINE DRAWING
ALL OTHER SHEETS ARE FOR INTERNAL USE ONLY

