

NOTES:

1. MATERIALS AND FINISH (IN MICRO-INCHES)

- BODY = ZINC DIECAST (PER ASTM B86, UNS Z33520), MATTE TIN PL. 100 MIN.
- INSULATOR = PTFE PER ASTM D1710, COLOR: NATURAL
- HOUSING = PPE+PS, COLOR: PER TABLE
- CONTACT = BERYLLIUM COPPER, PER ASTM B196, GOLD PL. 30 MIN.
- FERRULE = COPPER (PER ASTM B15, UNS C11000 OR C12200) NICKEL PL. 100 MIN.

C04 CONTACT MAY BE PURCHASED SEPARATELY AS P/N: 923-10621  
 C04 FERRULE MAY BE PURCHASED SEPARATELY AS P/N: FKFR00201A  
 CABLE DEFINITIONS PER AMPHENOL REPORT DE825

2. ELECTRICAL:

- A. IMPEDANCE: 50 OHM, NOMINAL
- B. FREQUENCY RANGE: DC-6.0 GHz
- C. VSWR(RETURN LOSS): 1.200 (-20.8 dB) MAX. (DC-200 MHz)  
 (MATED PAIR): 1.400 (-15.6 dB) MAX. (200 MHz-2.0 GHz)  
 1.500 (-13.9 dB) MAX. (2.0-3.0 GHz)  
 1.600 (-12.7 dB) MAX. [3.0-6.0 GHz]
- D. D.W.V: 800 VRMS MIN.

3. MECHANICAL:

- A. DURABILITY: 100 CYCLES MIN.
- B. TEMPERATURE RANGE: -40°C TO 85°C
- C. USCAR-17 COMPLIANT
- D. INTERFACE PER DIN 72594-1

4. PACKAGING:

- A. QUANTITY: TRAY PACK
- B. MARKING: TRAY TO BE MARKED "AMPHENOL, 3FA16NXSJ-C04-0, AND DATE CODE"

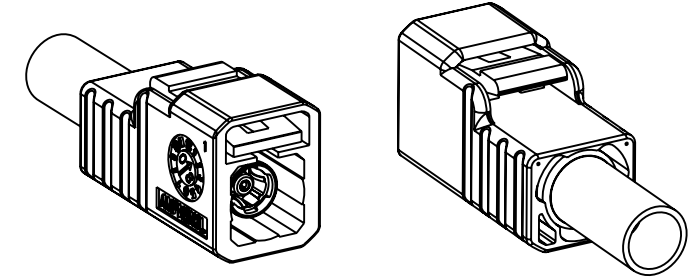
5. CABLE ASSEMBLY INSTRUCTIONS PER 349-50915

THIRD ANGLE PROJ.

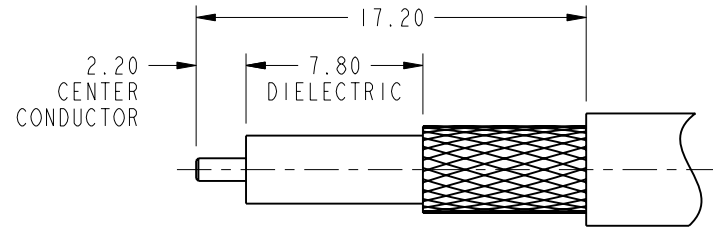
REVISIONS

REV	DESCRIPTION	DATE	ECO	APPR
A	RELEASE TO MFG.	30-Mar-16	50811	BCG
B	UPDATE NOTE 5	30-Aug-16	01846	NR

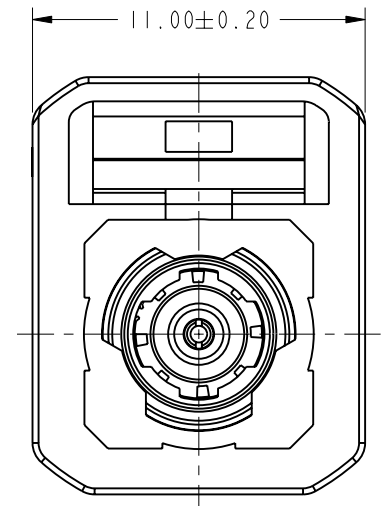
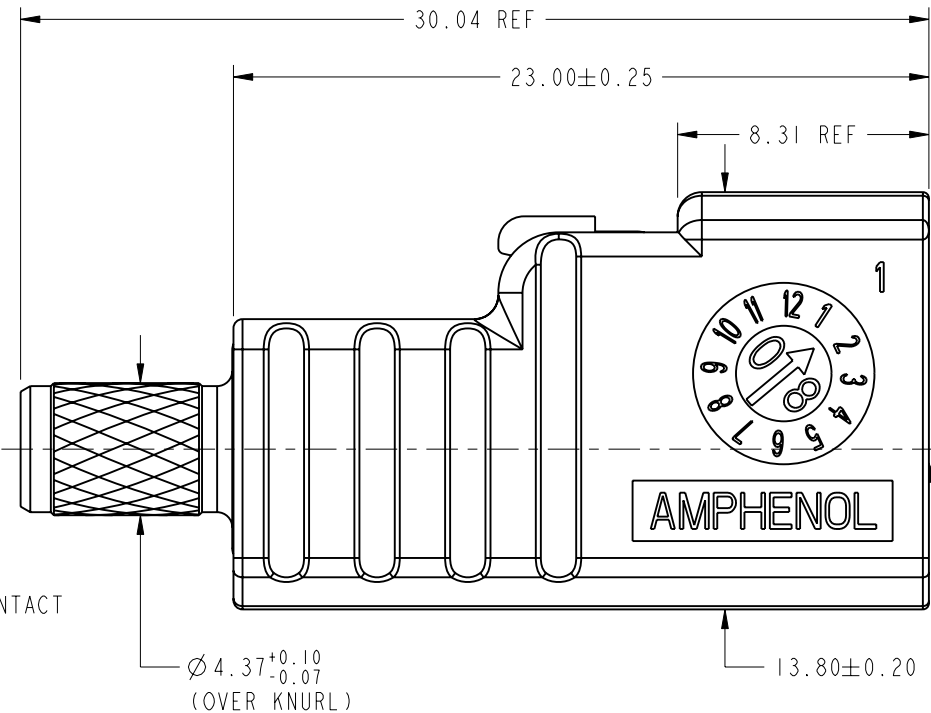
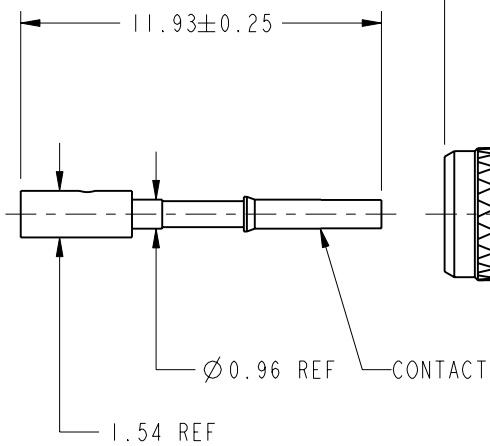
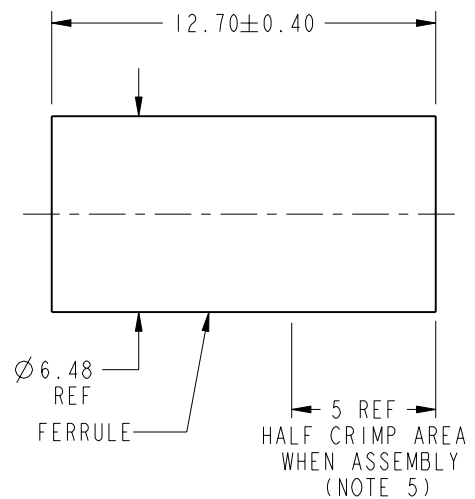
**CONFIGURATION CONTROL:**  
 NO CHANGES PERMITTED TO DRAWING WITHOUT  
 PPAP QUALIFIED CUSTOMER APPROVAL



SCALE 1.500



**RECOMMENDED CABLE STRIPPING DIMENSIONS**



SEE NOTE 3D

SEE TABLE FOR PART NUMBER, COLOR, AND KEY CODING - "Z" KEYING SHOWN -

CODING	DRAWING NO.	COLOR	RAL NO.
A	3FA16NASJ-C04-0	JET BLACK	9005
B	3FA16NBSJ-C04-0	CREAM	9001
C	3FA16NCSJ-C04-0	SIGNAL BLUE	5005
D	3FA16NDSJ-C04-0	CLARET VIOLET	4004
E	3FA16NESJ-C04-0	LEAF GREEN	6002
F	3FA16NFSJ-C04-0	NUT BROWN	8011
G	3FA16NGSJ-C04-0	BLUE GREY	7031
H	3FA16NHSJ-C04-0	HEATHER VIOLET	4003
I	3FA16NISJ-C04-0	BEIGE	1001
K	3FA16NKSJ-C04-0	CURRY	1027
L	3FA16NLSJ-C04-0	CARMINE RED	3002
M	3FA16NMSJ-C04-0	PASTEL ORANGE	2003
N	3FA16NNSJ-C04-0	PASTEL GREEN	6019
Z	3FA16NZSJ-C04-0	WATER BLUE	5021

**CUSTOMER OUTLINE DRAWING**

ALL OTHER SHEETS ARE FOR INTERNAL USE ONLY

UNLESS OTHERWISE SPECIFIED, DIMENSIONS ARE IN METRIC AND TOLERANCES ARE:  
 <0.5mm ±0.05mm    0.5 - 6mm ±0.1mm    6 - 30mm ±0.2mm    30 - 120mm ±0.3mm    ANGLES ±1°

NOTICE - These drawings, specifications, or other data (1) are, and remain the property of Amphenol corp. (2) must be returned upon request; and (3) are confidential and not to be disclosed to any person other than those to whom they are given by Amphenol Corp. the furnishing of these drawings, specifications, or other data by Amphenol Corp., or to any other person to anyone for any purpose is not to be regarded by implication or otherwise in any manner licensing, granting rights to permitting such holder or any other person to manufacture, use or sell any product, process or design, patented or otherwise, that may in any way be related to or disclosed by said drawings, specifications, or other data.

MATERIAL SEE NOTES	DRAWN B.C. GLEISSNER	DATE 30-Mar-16	TITLE GEN 3.0 FAKRA JACK, C04 CABLE GROUP, WITH MACHINED CONTACT 6.0 GHz PERFORMANCE	Amphenol RF www.amphenolrf.com	
REFERENCE EAR # 6559	ENGINEER B.C. GLEISSNER	DATE 30-Mar-16			
CONFIGURATION LEVEL: RELEASE	APPROVED S.HSIEH	DATE 14-Sep-16	SCALE: 4.0:1.0	SHEET 2 OF 2	DRAWING NO. 3FA16NXSJ-C04-0
FINISH	CAD FILE	DWG SIZE B	REV B	PART NO. 3FA16NXSJ-C04-0	ITEM NO. 3FA16NXSJ-C04-0