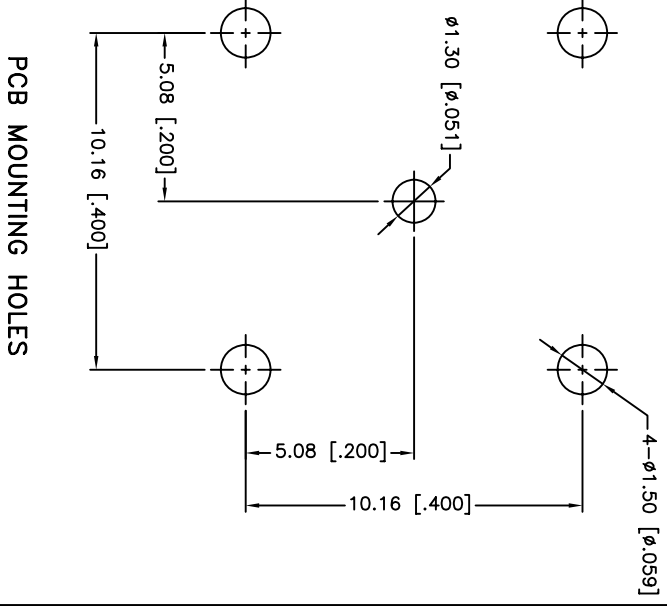
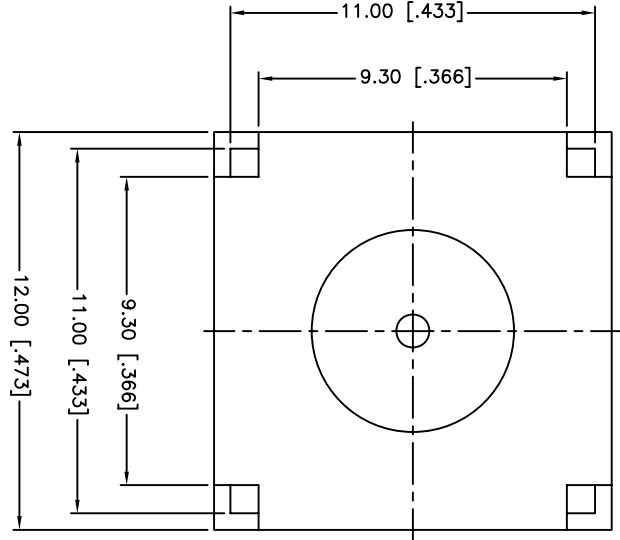
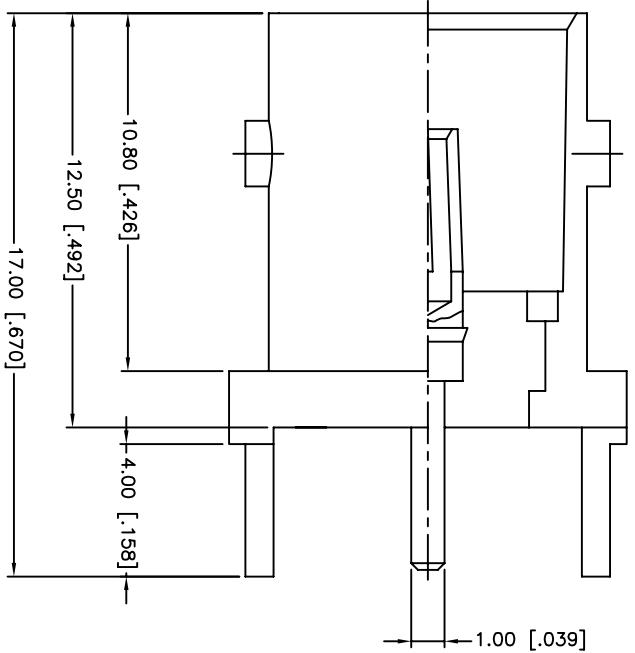


REV.	DATE	ECR NO.	DESCRIPTION
NC	11/18/09	XXXXXX	INITIAL RELEASE



QTY	FINISH	MATERIAL	DESCRIPTION
1	NICKEL	BRASS	LOCK RING
1	GOLD	PHOSPHOR BRONZE	CONTACT PIN
1	NATURAL	PTFE	INSULATOR
1	NICKEL	BRASS	BODY

APPROVALS	DATE
DRAWN CW	11/18/09
CHECKED	
ISSUED	
SHEET 1 OF 1	

UNLESS OTHERWISE SPECIFIED, DIMENSIONS ARE IN INCHES AND FOR CUSTOMER REFERENCE ONLY.
UNLESS OTHERWISE SPECIFIED, TOLERANCES FOR MILLIMETERS ARE: 0.5 - 8mm ± 0.20mm 8 - 30mm ± 0.40mm 30 - 120mm ± 0.50mm
UNLESS OTHERWISE SPECIFIED, TOLERANCES FOR INCHES ARE: .020 - .315 = ± 0.007" .315 - 1.180 = ± 0.015" 1.180 - 4.724 = ± 0.020"

DO NOT SCALE DRAWING
----------------------

APPROVALS	DATE
DRAWN CW	11/18/09
CHECKED	
ISSUED	
SHEET 1 OF 1	

CDW FILE	DWG. NO.	REV.	NC	SIZE	SCALE
C:/CONNEX/112407.DWG	112407.DWG	1	NC	A	NA

PART DESCRIPTION	PART NO.
<b>Amphenol Connex</b> BNC P.C. MOUNT RECEIPT. JACK	112407