

Datasheet

NFC Reader / Forum

PCB / Embedded

Features:

- Thin, semi-flexible structure
- Easily assembles to device covers or mechanics
- Meet NFC Forum standard

Applications:

- Mobile devices
- Payment terminals
- Sharing / pairing



ST0815-11-N02-A

45 x 34 x 0.6mm

NFC Antenna



Electrical Specifications

Antenna Characteristics (Contains Ferrite)

Frequency (MHz)*	13.56
Impedance (Ω)*	20~30
Inductance (μ H)**	1.54
Resistance (Ω)**	1.12
Self Resonance Frequency (MHz)**	74.05
Q-Factor**	58.3
Ferrite Permeability (μ')	150

* With matching network.

** Bare coil without any matching network.

Mechanical Specifications

Environmental

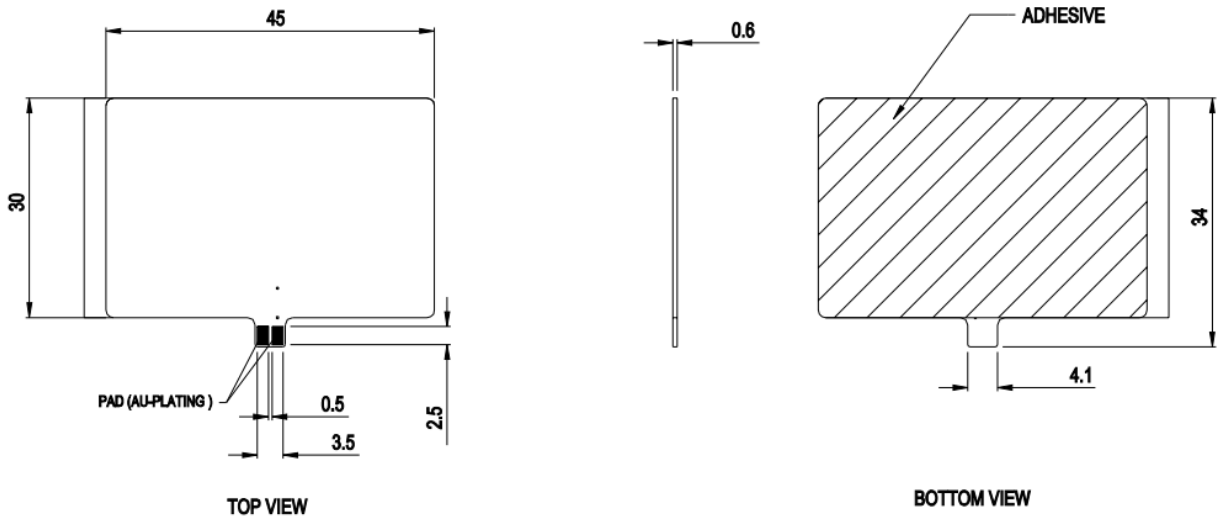
Temperature Range (°C)	-40 to 85
Humidity	Non-condensing 65°C 95% RH

RoHS Compliant

Part Number	Dimension (mm)	Weight (g)	Material	Adhesive
ST0815-11-N02-A	45 x 34 x 0.6	2.1	FR-4 + Ferrite	3M 467

Mechanical Drawing

Unit : mm



ST0815-11-N02-A

Revisions

Rev	Description	Date	ECN	Approval
A	Initial Release	2022-10-25	ST0815-11-N02-A-RA00	ATC

NOTICE - These drawings, specifications, or other data (1) are, and remain the property of Amphenol corp. (2) must be returned upon request; and (3) are confidential and not to be disclosed to any person other than those to whom they are given by Amphenol Corp. the furnishing of these drawings, specifications, or other data by Amphenol Corp., or to any other person to anyone for any purpose is not to be regarded by implication or otherwise in any manner licensing, granting rights to permitting such holder or any other person to manufacture, use or sell any product, process or design, patented or otherwise, that may in any way be related to or disclosed by said drawings, specifications, or other data.