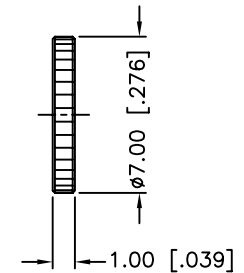
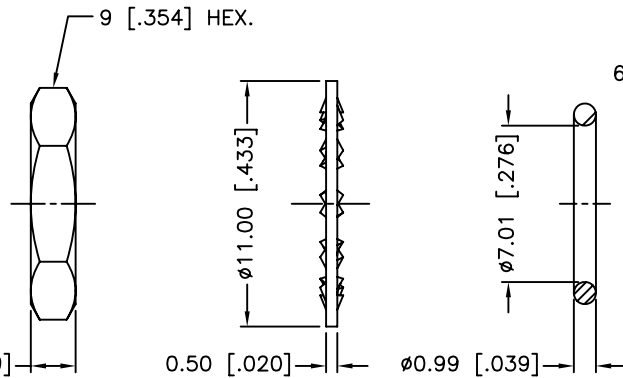
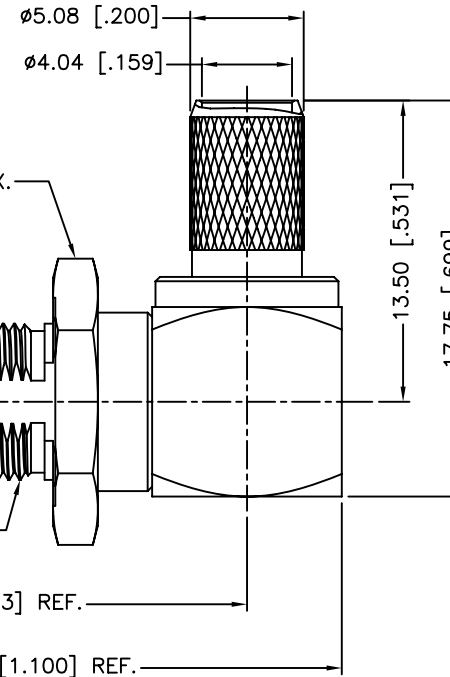
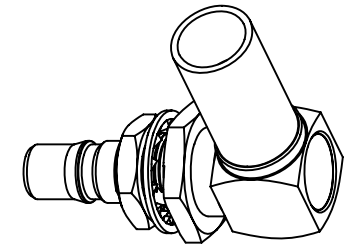
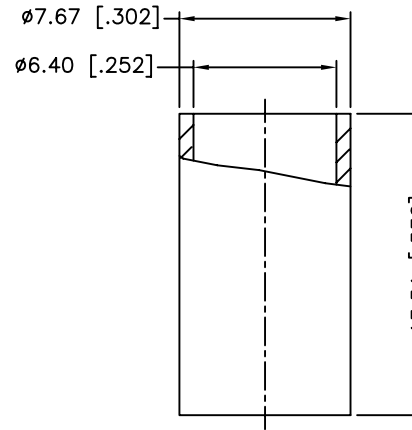
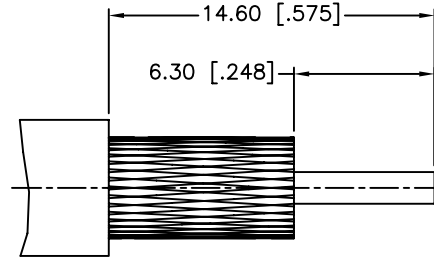
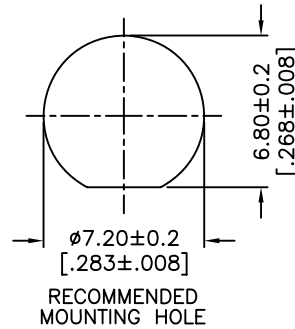


1. IMPEDANCE: 50 OHM
2. FREQUENCY RANGE: DC - 6 GHz
3. VSWR(RETURN LOSS): 1.3 MAX
4. DIELECTRIC WITHSTANDING VOLTAGE: 1000 VRMS, MIN.
5. DURABILITY: 100 CYCLES MIN.
6. TEMPERATURE RANGE: -40°C TO +85°C
7. PACKAGING:
 - A. QUANTITY: SINGLE PACK
 - B. MARKING: BAG TO BE MARKED "AMPHENOL, 134108, AND DATE CODE"
8. CRIMPED FERRULE
HEX. CRIMP SIZE .255"
9. CONTACT PIN TO SOLDER
10. MAX. PANEL THICKNESS=2.5mm
11. INSULATOR MUST WITHSTAND A 6 LBS. MIN. AXIAL FORCE AFTER STAKING OPERATION

REV.	DATE	ECR NO.	DESCRIPTION
NC	05/30/12	XXXXXX	INITIAL RELEASE



DESCRIPTION	MATERIAL	FINISH	QTY
8 FERRULE	COPPER	NEXCOTE	1
7 COVER	BRASS	NEXCOTE	1
6 HEX NUT	BRASS	NEXCOTE	1
5 LOCK WASHER	BRASS	NEXCOTE	1
4 O-RING	SILICON RUBBER	RED	1
3 CONTACT PIN	BERYLLIUM COPPER	GOLD	1
2 INSULATOR	PTFE	NATURAL	1
1 HOUSING WITH BODY	BRASS	NEXCOTE	1

UNLESS OTHERWISE SPECIFIED DIMENSIONS ARE IN MILLIMETERS. DIMENSIONS IN [] ARE IN INCHES AND FOR CUSTOMER REFERENCE ONLY.

UNLESS OTHERWISE SPECIFIED TOLERANCES FOR MILLIMETERS ARE:
 0.5 - 8mm ± 0.20mm
 8 - 30mm ± 0.40mm
 30 - 120mm ± 0.50mm

UNLESS OTHERWISE SPECIFIED TOLERANCES FOR INCHES ARE:
 .020 - .315 = ± 0.007"
 .315 - 1.180 = ± 0.015"
 1.180 - 4.724 = ± 0.020"

DO NOT SCALE DRAWING

APPROVALS	DATE
DRAWN M.ZHANG	05/30/12
CHECKED	
ISSUED	
SHEET 1 OF 1	
CAD FILE C:/CONNEX/134108.DWG	

Amphenol Connex			
PART DESCRIPTION QMA R/A JACK BULKHEAD - 50 ohm (FOR LMR-240 CABLE)			
PART NO. 134108			
DWG. NO.	134108.DWG	REV.	NC
SIZE	A	SCALE	NA