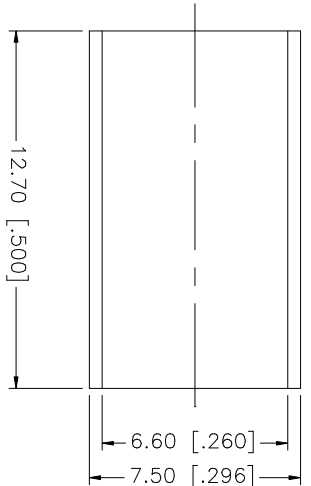
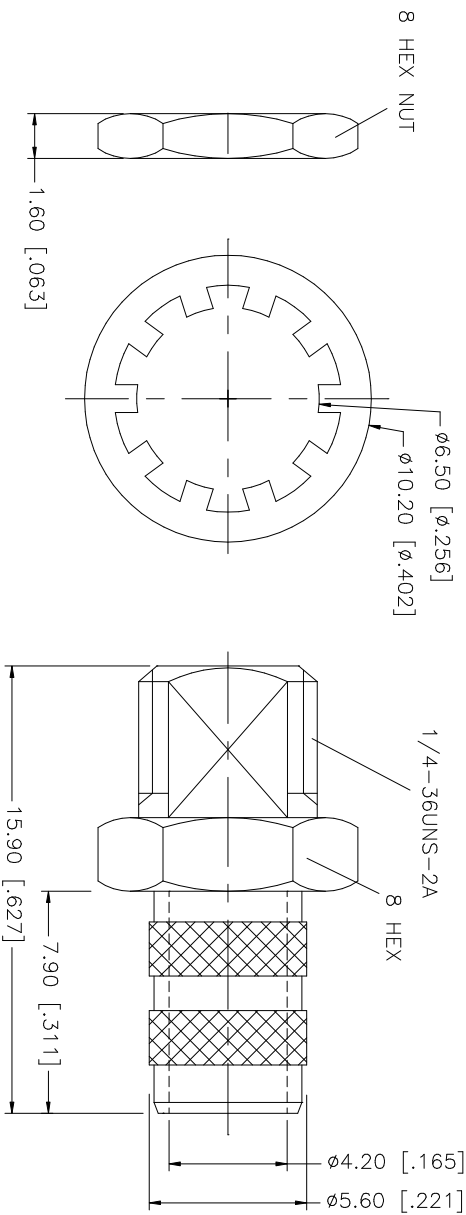
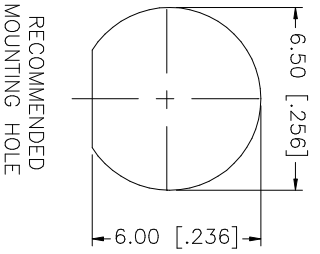
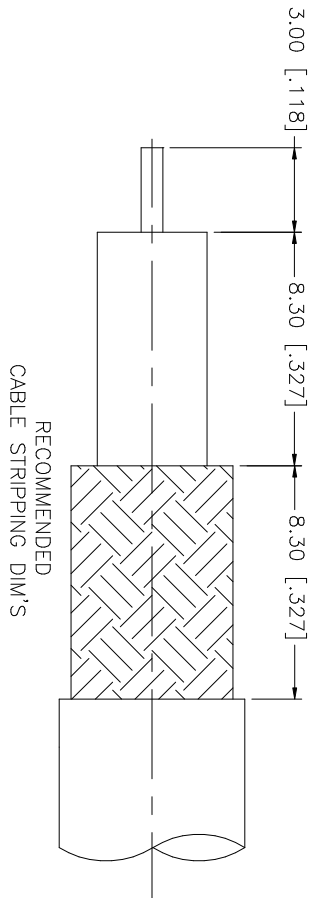


REV.	DATE
NC	01/17/06

DESCRIPTION  
INITIAL RELEASE



CRIMP NOTES:  
1. CRIMPED FERRULE  
HEX CRIMP SIZE .255"

8	8 HEX NUT								
7									
6									
5	FERRULE	COPPER	NICKEL	1					
4	HEX NUT	BRASS	NICKEL	1					
3	LOCK WASHER	BRASS	NICKEL	1					
2	INSULATOR	TEFLON	NATURAL	1					
1	BODY	BRASS	NICKEL	1					
DESCRIPTION		MATERIAL	FINISH	QTY					
UNLESS OTHERWISE SPECIFIED DIMENSIONS ARE IN INCHES AND FOR CUSTOMER REFERENCE ONLY.									
TOLERANCES FOR MILLING ARE:									
0.5 - 8mm ± 0.20mm									
8 - 30mm ± 0.40mm									
30 - 120mm ± 0.50mm									
UNLESS OTHERWISE SPECIFIED DIMENSIONS FOR INCHES ARE:									
.020 - .315 = ± 0.007"									
.315 - 1.180 = ± 0.015"									
1.180 - 4.724 = ± 0.020"									
DO NOT SCALE DRAWING									
APPROVALS			DATE			PART DESCRIPTION			
DRAWN G.R.S.			01/17/06			BULKHEAD CABLE TERMINATION (FOR LMR240 CABLE)			
CHECKED						PART NO. 142340			
ISSUED						DWG. NO. 142340.DWG			
SHEET 1 OF 1						REV. A			
CAD FILE C:/142/142340.DWG						SIZE A			
						SCALE NA			

