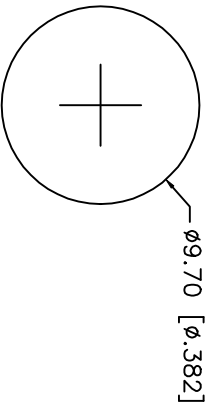
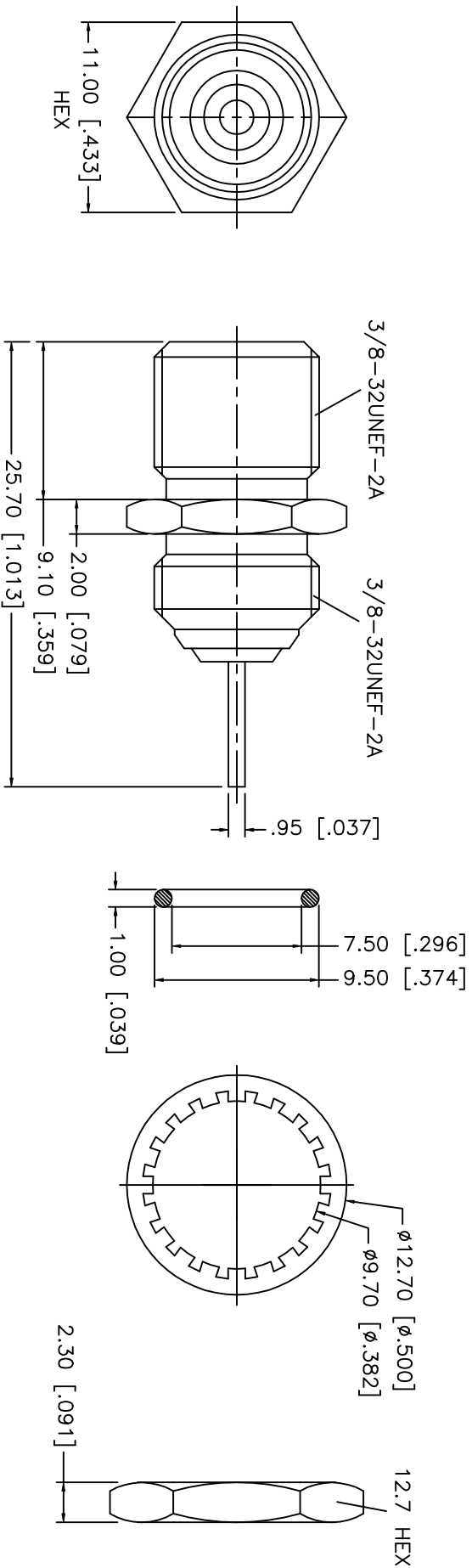


REV.	DATE	DESCRIPTION
NC	09/30/02	INITIAL RELEASE



RECOMMENDED
MOUNTING HOLE DIMENSIONS



8																				
7	GASKET	N.B.R.	BLACK																	
6	HEX NUT	BRASS	NICKEL																	
5	LOCK WASHER	BRASS	NICKEL																	
4	INSULATOR	TEFLON	NATURAL																	
3	CONTACT PIN	BER. COPPER	GOLD																	
2	INSULATOR	TEFLON	NATURAL																	
1	BODY	BRASS	NICKEL																	
	DESCRIPTION	MATERIAL	FINISH																	
				UNLESS OTHERWISE SPECIFIED DIMENSIONS ARE IN MILLIMETERS				APPROVALS				DATE								
				DIMENSIONS IN [] ARE IN INCHES FOR CUSTOMER REFERENCE ONLY				DRAWN G.R.S.				09/30/02								
				UNLESS OTHERWISE SPECIFIED TOLERANCES FOR INCHES ARE: .XXX = ± 0.005" .XX = ± 0.010" .X = ± 0.020"				CHECKED												
				DO NOT SCALE DRAWING				ISSUED												
Amphenol - Connex CONNECTOR CORPORATION																				
TITLE F STRAIGHT RECEPTACLE - EXTENDED CONTACT WITH NUT & WASHER																				
SIZE		FSQM NO.		DWG. NO.		SCALE		PART NO.		SHEET		REV.		REV.		REV.		REV.		
A		99001		222144-11.DWG		NA		222144-11		1 OF 1		NC		NC		NC		NC		