

NOTES:

1. MATERIALS AND FINISHES:

BNC CRIMP PLUG - P/N: 112132
CABLE - RG-316 COAXIAL CABLE

2. ELECTRICAL:

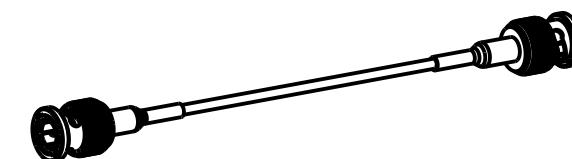
A. IMPEDANCE: 50 OHM, NOMINAL
B. FREQUENCY RANGE: DC - 4 GHz

3. PACKAGING:

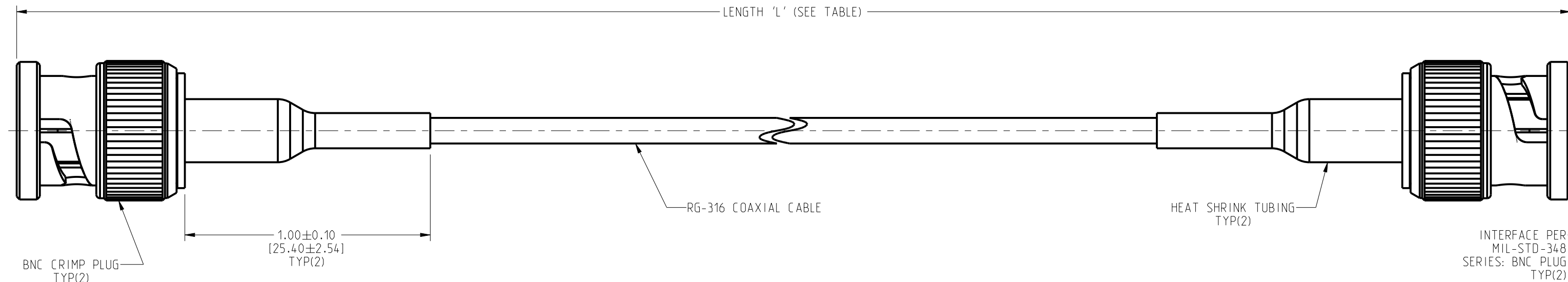
A. QUANTITY: SINGLE PACK
B. BAG TO BE MARKED: AMPHENOL RF, 115101-01-XX.XX, AND DATE CODE

4. ADDITIONAL LENGTHS CAN BE PROVIDED. CONTACT AMPHENOL RF MARKETING FOR QUOTE.

REVISIONS				
REV	DESCRIPTION	DATE	ECN	BY
A	RELEASE TO MFG.	11-NOV-10	--	KR
D	RELEASE TO ARFA; ADDED COD	16-APR-24	17017	SCOTT
E	4.00 METER LENGTH AND NOTE 4 ADDED	14-OCT-25	17575	RS



SCALE 0.500



LENGTH TABLE		
PART NUMBER (IMPERIAL)	PART NUMBER (METRIC)	LENGTH 'L' IN INCHES [METERS]
-	115101-01-M0.10	3.94 [0.100]
115101-01-06.00	-	6.00 [0.152]
-	115101-01-M0.25	9.84 [0.250]
115101-01-12.00	-	12.00 [0.305]
115101-01-18.00	-	18.00 [0.457]
-	115101-01-M0.50	19.69 [0.500]
115101-01-24.00	-	24.00 [0.610]
-	115101-01-M0.75	29.53 [0.750]
115101-01-36.00	-	36.00 [0.914]
-	115101-01-M1.00	39.37 [1.000]
115101-01-48.00	-	48.00 [1.219]
-	115101-01-M3.00	118.11 [3.000]
-	115101-01-M4.00	157.48 [4.000]

TOLERANCE TABLE	
LENGTH IN INCHES/FT [METERS]	TOLERANCE
0" - 23.99" [0 - 0.609]	±0.25" [0.006]
24.00" - 59.99" [0.610 - 1.523]	±0.50" [0.013]
5.0' - 24.99' [1.524 - 7.617]	±2.5%
25.0' & UP [7.620 & UP]	±5.0%

DESIGN REQUIREMENTS:

- FREQUENCY: DC - 4 GHz CONTINUITY
 VSWR: ____1 MAX. HI-POT: 500 VRMS
 INS. LOSS: ____ dB MAX. OTHER

CUSTOMER OUTLINE DRAWING
ALL OTHER SHEETS ARE FOR INTERNAL USE ONLY

NOTICE: These drawings, specifications, or other data (1) are, and remain the property of Amphenol corp. (2) must be returned upon request; and (3) are confidential and not to be disclosed to any person other than those to whom they are given by Amphenol Corp. The furnishing of these drawings, specifications, or other data by Amphenol Corp., or to any other person to anyone for any purpose is not to be regarded by implication or otherwise in any manner licensing, granting rights to permitting such holder or any other person to manufacture, use or sell any product, process or design, patented or otherwise, that may in any way be related to or disclosed by said drawings, specifications, or other data.

UNLESS OTHERWISE SPECIFIED DIMENSIONS ARE METRIC [INCHES] AND TOLERANCES ARE:
 <0.5mm = ±0.05mm [$<0.020 = \pm 0.002$]
 0.5 - 6mm = ±0.1mm [$>0.020 - 0.236 = \pm 0.004$]
 >6.00 - 30mm = ±0.2mm [$>0.236 - 1.181 = \pm 0.008$]
 >30.00 - 120mm = ±0.3mm [$>1.181 - 4.725 = \pm 0.012$]

MATERIAL: SEE NOTES
 ENGR.1: STAMN ENGR.2: KARTHIK R DATE: 16-Apr-24

TITLE: BNC CRIMP PLUG TO BNC CRIMP PLUG USING, RG 316 COAXIAL CABLE
 SHEET NO. 2 OF 2 SCALE: 2.5:1.0

Amphenol RF
 DRAWING NO. 115101-01-XX.XX REV: E
 ITEM NO. 115101-01-XX.XX
 PART NO. 115101-01-XX.XX

THIRD ANGLE PROJ. REFERENCE EAR# 13226

ANGLES = ±1°

ENGR.1: STAMN ENGR.2: KARTHIK R DATE: 16-Apr-24

SHEET NO. 2 OF 2 SCALE: 2.5:1.0

SIZE: B