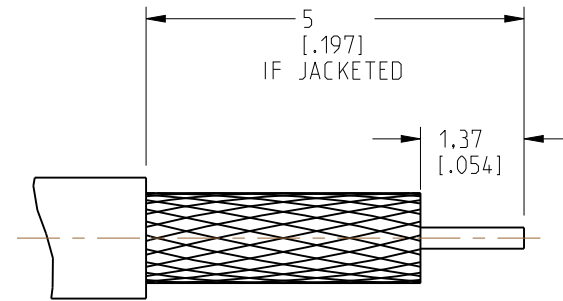


NOTES:

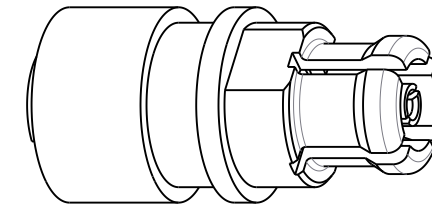
1. MATERIALS AND FINISHES:  
 BODY - BeCu, GOLD PLATING  
 CONTACT - BeCu, GOLD PLATING  
 INSULATOR - PTFE, NATURAL
2. ELECTRICAL:  
 A. IMPEDANCE: 50 OHM  
 B. FREQUENCY RANGE: DC - 35 GHz
3. MECHANICAL:  
 A. DURABILITY: 100 CYCLES MIN.  
 B. TEMPERATURE RANGE: -65° C TO +165° C
4. PACKAGING:  
 A. QUANTITY: SINGLE PACK  
 B. MARKING: BAG TO BE MARKED  
 "AMPHENOLRF, 925-124P-51S, AND DATE CODE"
5. CABLE ASSEMBLY INSTRUCTIONS:  
 A. TRIM CABLE AS SHOWN  
 B. SLIDE INSULATOR DISC OVER THE CABLE CENTER CONDUCTOR.  
 C. SOLDER CENTER CONTACT TO CABLE CENTER CONDUCTOR.  
 D. SOLDER OUTER CONDUCTOR OF CABLE TO REAR BODY.

6 SHOWS CABLE ENTRY DIMENSIONS

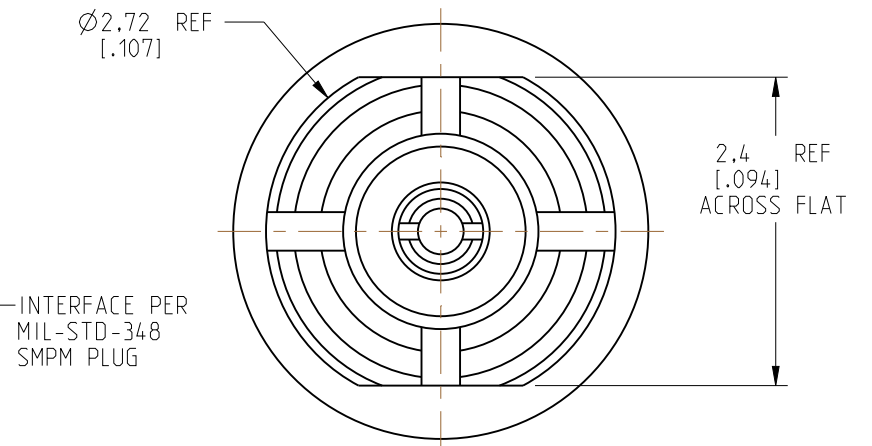
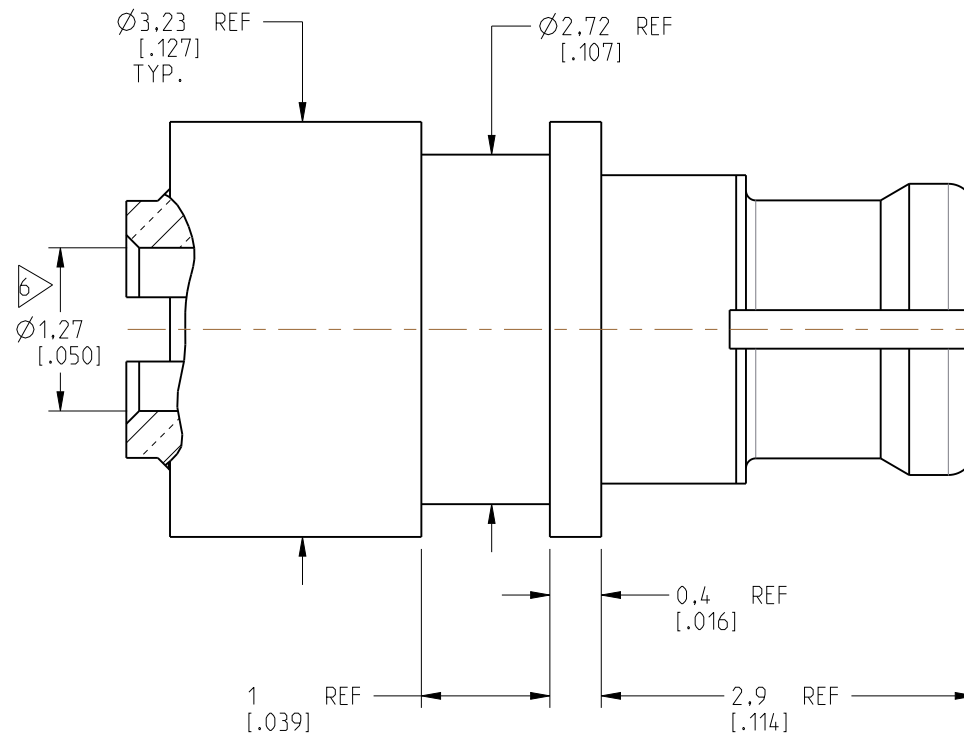
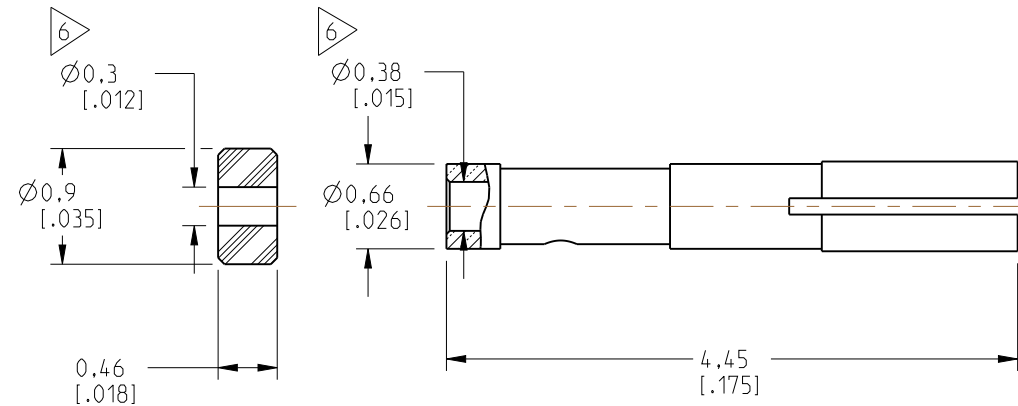
REVISIONS				
REV	DESCRIPTION	DATE	ECN	BY
A	RELEASE TO MFG.	01-Mar-13	49467	FW
B	UPDATED INSULATOR, BODY AND STRIPPING DIMENSIONS /RD-DM14022601Z	06-Mar-14	49877	SH
C	Ø0.38 WAS Ø0.33/RD-DM14081401M3	26-Aug-14	50086	SH
D	Ø0.35 WAS Ø0.30 \RD-DM15021001R3	27-Feb-15	50393	RM
E	Ø0.30 WAS Ø0.35	07-JAN-19	10163	EH
F	UPDATED DRAWING FORMAT	27-Mar-26	17838	LQ



RECOMMENDED CABLE STRIPPING DIMENSIONS



SCALE 8.000



**CUSTOMER OUTLINE DRAWING**  
 ALL OTHER SHEETS ARE FOR INTERNAL USE ONLY

NOTICE: These drawings, specifications, or other data (1) are, and remain the property of Amphenol corp. (2) must be returned upon request; and (3) are confidential and not to be disclosed to any person other than those to whom they are given by Amphenol Corp. The furnishing of these drawings, specifications, or other data by Amphenol Corp., or to any other person to anyone for any purpose is not to be regarded by implication or otherwise in any manner licensing, granting rights to permitting such holder or any other person to manufacture, use or sell any product, process or design, patented or otherwise, that may in any way be related to or disclosed by said drawings, specifications, or other data.

UNLESS OTHERWISE SPECIFIED DIMENSIONS ARE METRIC (INCHES) AND TOLERANCES ARE:  
 <0.5mm = ±0.05mm [ $\pm 0.002$ ]  
 0.5 - 6mm = ±0.1mm [ $\pm 0.020 - 0.236 = \pm 0.004$ ]  
 >6.00 - 30mm = ±0.2mm [ $\pm 0.236 - 1.181 = \pm 0.008$ ]  
 >30.00 - 120mm = ±0.3mm [ $\pm 1.181 - 4.725 = \pm 0.012$ ]

MATERIAL: SEE NOTES  
 ENGR.1: R. RAJAN  
 ENGR.2: M. ZHANG  
 DATE: 26-Mar-26

TITLE: SMPM, PLUG FOR .047" CABLE  
 SHEET NO. 2 OF 2  
 SCALE: 17.0:1.0

Amphenol RF		DRAWING NO. 925-124P-51S	REV F
		ITEM NO. 925-124P-51S	
		PART NO. 925-124P-51S	

THIRD ANGLE PROJ. REFERENCE EAR# 4691

ANGLES = ±1°